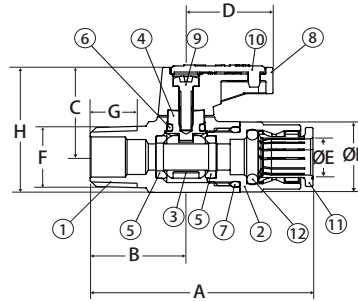


Brass Ball Valve

Mini Valve, 2 Piece, MNPT x Push Fit Connection, 145 PSI

PF-86-M



FEATURES

- FKM O-Rings
- Corrosion Resistant
- Applicable in Limited Spaces
- Chrome Plated
- 100% Made in Italy

CERTIFICATIONS/APPROVALS

ANSI B1.20.5

PRESSURE/TEMPERATURE RATING

145 PSI
14°F - 195°F

MATERIALS

| No. | Part | Material |
|-----|-----------|----------------------------|
| 1 | Body | Chrome Plated Brass CW617N |
| 2 | Sleeve | Chrome Plated Brass CW617N |
| 3 | Ball | Nickel Plated Brass CW617N |
| 4 | Stem | Brass CW617N |
| 5 | Ball Seal | PTFE |
| 6 | O-Ring | FKM 70ShA |
| 7 | O-Ring | FKM 70ShA |
| 8 | Handle | Nylon PA6 +30%GF |
| 9 | Screw | Steel |
| 10 | Clip | Nylon PA6 +30%GF |
| 11 | Collet | Chrome Plated Brass CW617N |
| 12 | O-Ring | FKM 70ShA |

DIMENSIONS

| Part No | Size | DN | A | B | C | D | ØE | F | G | H | SW I | ØL |
|---------|----------------------|------|------|------|------|------|-------|----------|------|------|------|------|
| 186-730 | 1/8" MNPT x 5/32" PF | 0.24 | 1.57 | 0.69 | 0.83 | 0.73 | 0.016 | NPT 1/8" | 0.27 | 1.14 | 0.55 | 0.63 |
| 186-731 | 1/8" MNPT x 1/4" PF | 0.24 | 1.59 | 0.69 | 0.83 | 0.73 | 0.26 | NPT 1/8" | 0.27 | 1.14 | 0.55 | 0.63 |
| 186-741 | 1/4" MNPT x 1/4" PF | 0.24 | 1.71 | 0.81 | 0.83 | 0.73 | 0.26 | NPT 1/4" | 0.40 | 1.14 | 0.55 | 0.63 |
| 186-743 | 3/8" MNPT x 3/8" PF | 0.31 | 2.05 | 0.83 | 0.89 | 0.73 | 0.38 | NPT 3/8" | 0.41 | 1.26 | 0.67 | 0.76 |