

Thermoplastic Valve

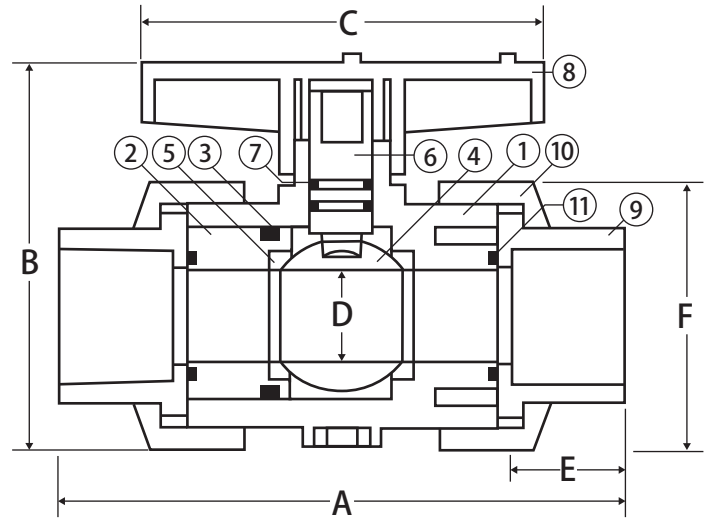


Tru-Union PVC • Schedule 80 • Threaded and Solvent Connections

• 150 WOG



T/S-703



Features

- **NPS connections**
- Easy installation with hand-tightened union nuts
- Easy line breakdowns without installing additional unions
- Full port design minimum flow restrictions
- Manufactured/assembled without hydrocarbon lubricants
- Mounting pads for electric or pneumatic actuation
- Includes threaded and socket ends
- Wetted surfaces contain less than .25% lead content

Approvals

- ANSI B1.20.1
- ASTM F1970

Pressure Rating

- Max service temperature 140°F, 150 PSI @ 73°F continuous
- Min temperature 41°F

Material Specifications

No.	Part	Materials
1	Body	UPVC
2	Body Insert	UPVC
3	Body O-ring	Viton®
4	Ball	UPVC
5	Seat (2)	PTFE
6	Stem	UPVC
7	Stem O-ring (2)	Viton®
8	Handle	ABS Plastic
9	Tail Piece (2)	UPVC
10	Union Nut (2)	UPVC
11	Union O-ring (2)	Viton®

Dimensions

Part No.	Size	A	B	C	D	E	F
210-543	1/2"	4.49	2.77	3.07	0.51	0.87	1.83
210-544	3/4"	5.31	3.33	3.62	0.71	1.00	2.17
210-545	1"	5.87	3.90	3.94	0.91	1.13	2.60
210-546	1-1/4"	6.61	4.53	4.33	1.18	1.25	3.23
210-547	1-1/2"	6.89	5.35	4.76	1.50	1.38	3.86
210-548	2"	8.19	6.54	5.79	1.89	1.50	4.72
210-549	2-1/2"	10.83	7.32	7.09	2.40	1.75	5.51
210-550	3"	11.97	8.33	8.82	2.72	1.88	6.42
210-551	4"	13.07	11.44	10.94	3.90	2.25	8.86