

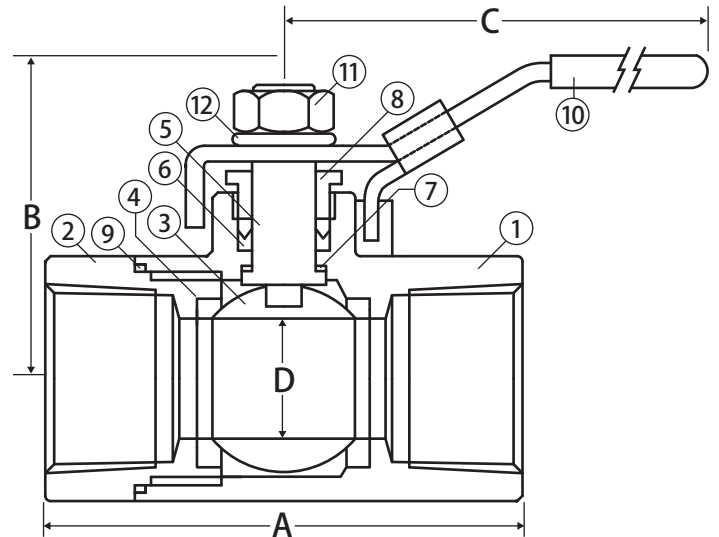
# Stainless Steel Ball Valve



2 Piece • Standard Port • Threaded Connection • 2000 WOG



T-SS-2000N



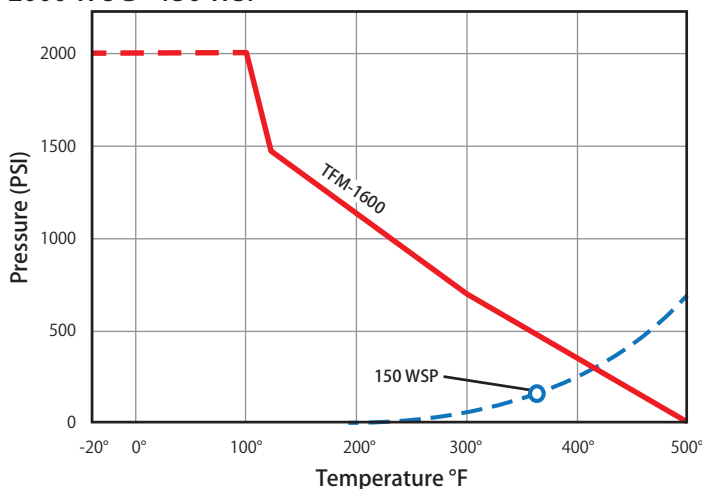
## Features

- Solid ball construction
- 29 in-Hg vacuum rating
- Latch lock may be locked in open or closed position
- 100% leak tested
- Wetted surfaces contain less than .25% lead content

## Approvals

- UL Listed
  - MHKZ - Manual valves
  - YQNZ - Compressed gas shut-off valves
  - YRBX - Flammable liquid shut-off valves
  - YRPV - Gas shut-off valves
  - YSDT - LP gas shut-off valves
  - YQAR - Anhydrous ammonia shut-off valves
- Conforms to API 598
- ANSI B1.20.1
- MSS SP-110
- NACE Certified

## Valve Seat Rating 2000 WOG - 150 WSP



## Material Specifications

No.	Part	Materials
1	Body	CF8M Stainless Steel
2	End Connection	CF8M Stainless Steel
3	Ball	CF8M Stainless Steel
4	Seat (2)	Hostaflon® TFM 1600
5	Stem	316 Stainless Steel
6	Packing (2)	RPTFE
7	Stem Seal	Hostaflon® TFM 1600
8	Packing Gland	316 Stainless Steel
9	Body Seal	Hostaflon® TFM 1600
10	Handle	304 Stainless Steel
11	Handle Nut	304 Stainless Steel
12	Lock Washer	304 Stainless Steel

## Dimensions

Part No.	Size	A	B	C	D	Torque
100-931	1/4"	2.07	1.76	4.33	0.37	35
100-932	3/8"	2.07	1.76	4.33	0.37	35
100-933	1/2"	2.34	1.92	4.33	0.50	65
100-934	3/4"	2.80	2.40	5.83	0.69	100
100-935	1"	3.23	2.56	5.83	0.87	120
100-936	1-1/4"	3.57	2.74	7.76	1.00	210
100-937	1-1/2"	4.04	2.98	7.76	1.25	300
100-938	2"	4.63	3.17	7.76	1.50	400