

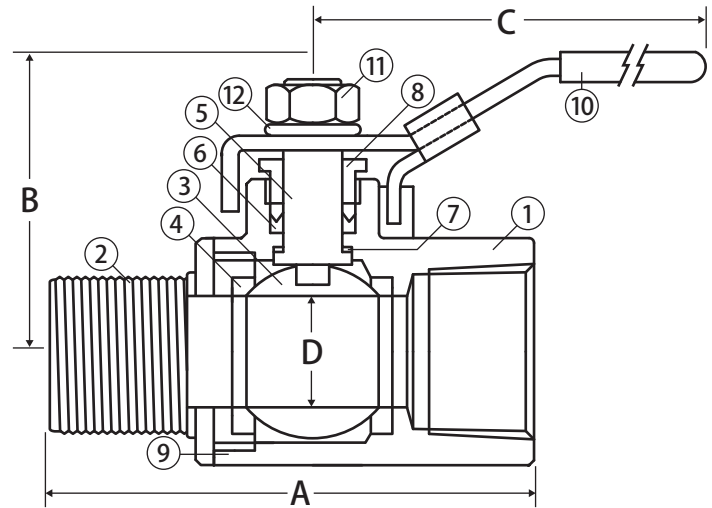
# Stainless Steel Ball Valve



2 Piece • Standard Port • Male x Female Connection • 2000 WOG



T-SS-2000N-MF



## Features

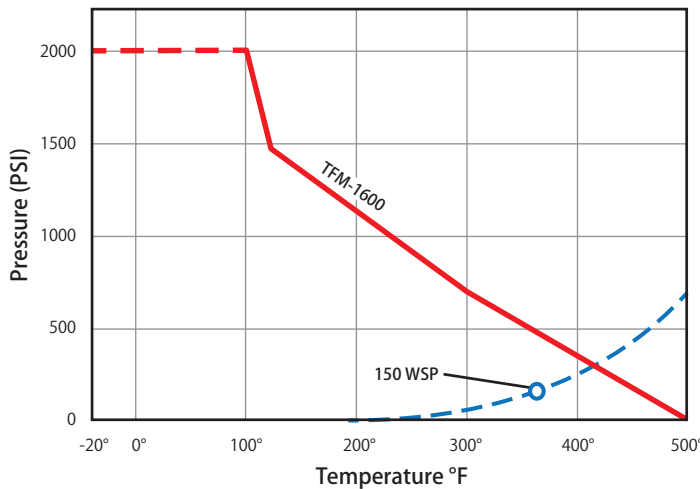
- Solid ball construction
- 29 in-Hg vacuum rating
- Latch lock may be locked in open or closed position
- 100% leak tested
- Wetted surfaces contain less than .25% lead content

## Approvals

- Conforms to API 598
- ANSI B1.20.1
- MSS SP-110
- NACE Certified

## Valve Seat Rating

2000 WOG - 150 WSP



## Material Specifications

No.	Part	Materials
1	Body	CF8M Stainless Steel
2	End Connection	CF8M Stainless Steel
3	Ball	CF8M Stainless Steel
4	Seat (2)	Hostaflon® TFM 1600
5	Stem	316 Stainless Steel
6	Packing (2)	RPTFE
7	Stem Seal	Hostaflon® TFM 1600
8	Packing Gland	316 Stainless Steel
9	Body Seal	Hostaflon® TFM 1600
10	Handle	304 Stainless Steel
11	Handle Nut	304 Stainless Steel
12	Lock Washer	304 Stainless Steel

## Dimensions

Part No.	Size	A	B	C	D	Torque
101-931	1/4"	2.44	1.75	4.06	0.38	35
101-932	3/8"	2.44	1.75	4.06	0.38	35
101-933	1/2"	2.89	1.94	4.06	0.49	65
101-934	3/4"	3.26	2.21	4.06	0.59	100
101-935	1"	3.62	2.49	4.29	0.79	120