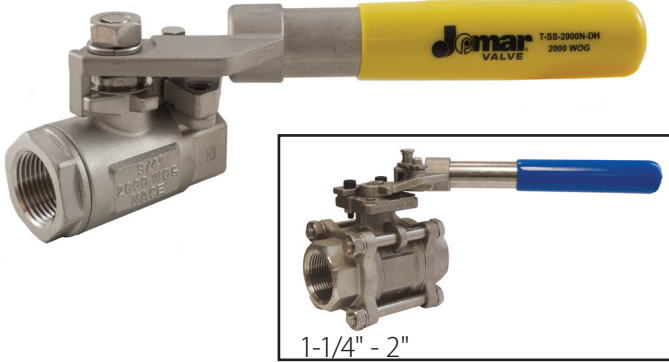


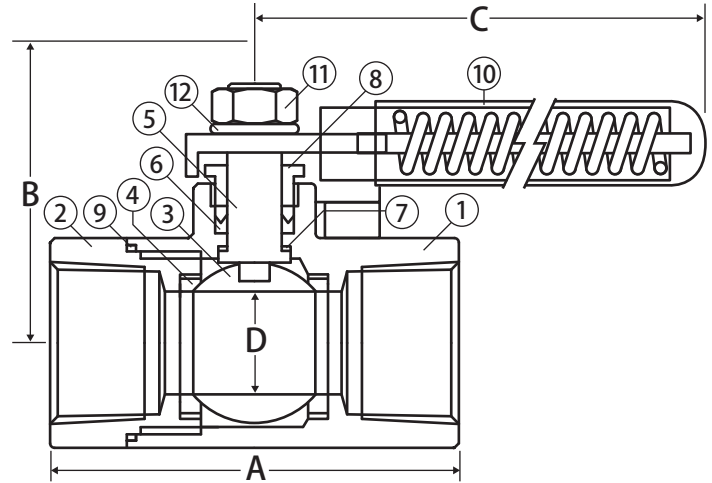
Stainless Steel Ball Valve



2 Piece • Standard Port • Threaded Connection • 2000 WOG • with Spring Return Handle



T-SS-2000N-DH



Features

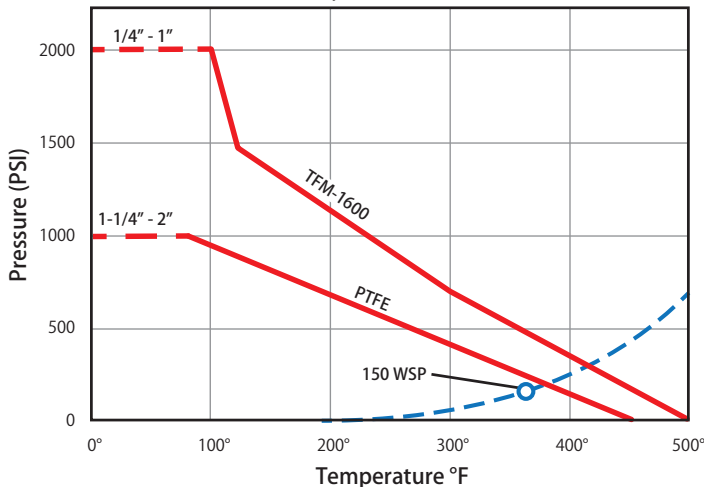
- 1-1/4" - 2" 3 piece, 4 bolt pattern
- Fail safe position
- Solid ball construction
- 29 in-Hg vacuum rating
- 100% leak tested
- Wetted surfaces contain less than .25% lead content

Approvals

- UL Listed (1/4" - 1")
 - MHKZ - Manual valves
 - YQNZ - Compressed gas shut-off valves
 - YRBX - Flammable liquid shut-off valves
 - YRPV - Gas shut-off valves
 - YSDT - LP gas shut-off valves
 - YQAR - Anhydrous ammonia shut-off valves
- MSS SP-110
- ANSI B1.20.1

Valve Seat Rating

1/4 - 1" 2000 WOG - 150 WSP, 1-1/4" - 2" 1000 WOG - 150 WSP



Material Specifications

No.	Part	Materials
1	Body	CF8M Stainless Steel
2	End Connection	CF8M Stainless Steel
3	Ball	CF8M Stainless Steel
4	Seat (2)	Hostaflon® TFM 1600
5	Stem	316 Stainless Steel
6	Packing (2)	RPTFE
7	Stem Seal	Hostaflon® TFM 1600
8	Packing Gland	316 Stainless Steel
9	Body Seal	Hostaflon® TFM 1600
10	Handle - Dead Man	304 / 301 Stainless Steel
11	Handle Nut	304 Stainless Steel
12	Lock Washer	304 Stainless Steel

Note: For 1-1/4" - 2" material specifications see A1000

Dimensions

Part No.	Size	A	B	C	D
100-931DH	1/4"	2.07	1.76	7.09	0.37
100-932DH	3/8"	2.07	1.76	7.09	0.37
100-933DH	1/2"	2.34	1.92	7.09	0.50
100-934DH	3/4"	2.80	2.40	7.28	0.69
100-935DH	1"	3.23	2.56	7.28	0.87
100-936DH*	1-1/4"	4.33	2.71	8.66	1.38
100-937DH*	1-1/2"	4.75	3.22	11.02	1.63
100-938DH*	2"	5.52	3.55	11.02	1.97

*1-1/4" - 2" 3 piece, 4 bolt pattern

WARNING: This product can expose you to chemicals including diisononyl phthalate (DINP), which is known to the State of California to cause cancer, and diisononyl phthalate (DINP), which is known to the State of California to cause birth defects or other reproductive harm. For more information go to www.P65Warnings.ca.gov.