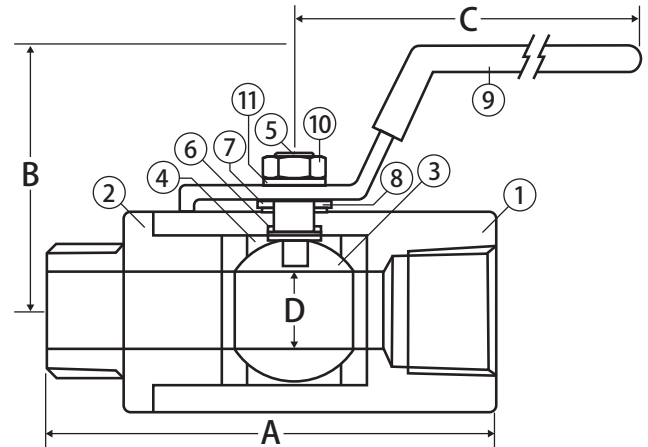
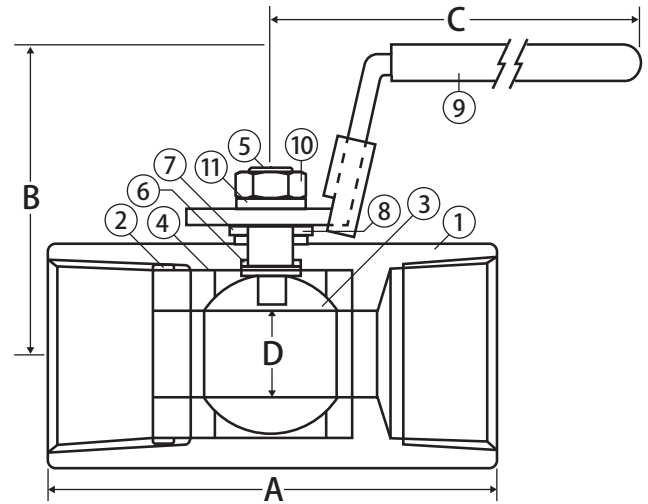


# Stainless Steel Mini Ball Valve



**1 Piece / 2 Piece • Full Port • Threaded Connection • Mini Valves • 1000 WOG**



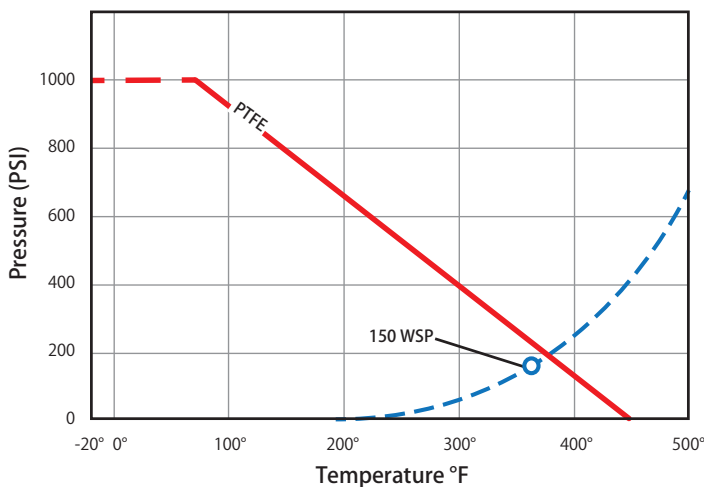
## Features

- Solid ball construction
- Corrosion resistant
- 29 in-Hg vacuum rating
- 100% leak tested
- Wetted surfaces contain less than .25% lead content

## Approvals

- MSS SP-110
- ANSI B1.20.1

## Valve Seat Rating 1000 WOG - 150 WSP



## Material Specifications

No.	Part	Materials
1	Body	CF8M Stainless Steel / 316 Stainless Steel
2	Body Insert / End Connection	316 Stainless Steel
3	Ball	316 Stainless Steel
4	Seat (2)	PTFE
5	Stem	316 Stainless Steel
6	Stem Seal	PTFE
7	Packing	PTFE
8	Packing Washer	304 Stainless Steel
9	Handle	304 Stainless Steel
10	Handle Nut	304 Stainless Steel
11	Lock Washer	304 Stainless Steel

## Dimensions

Part No.	Size	A	B	C	D
500-098	1/8" FIP x 1/8" MIP	2.00	1.22	2.44	0.20
500-099	1/4" FIP x 1/4" MIP	2.32	1.50	3.45	0.30
500-101	1/4" FIP x 1/4" FIP	1.57	1.42	3.45	0.20