

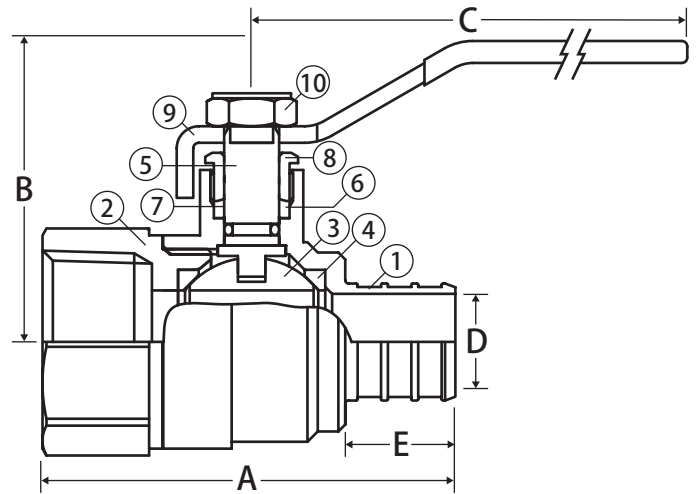
Lead Free Brass Ball Valve



2 Piece • Standard Port • Threaded Female x Crimp Pex Connection • 600 WOG



T-412G FIP



Features

- Gland follower and single o-ring stem design
- Blow-out proof stem
- 100% leak tested
- Wetted surfaces contain less than .25% lead content

Approvals

- ASTM F1807
- CSA Certified
 - ASME A112.4.14
- IAPMO Certified
 - NSF 61-8
 - NSF 372
 - Uniform Plumbing Code (cUPC)
 - IAPMO/ANSI Z1157-2014
 - NSF/ANSI 14-2014
- ANSI B1.20.1

Pressure Rating

- Body rated to 600 WOG
- Crimp connection rated to 100 WOG up to 180°F



WARNING: This product can expose you to chemicals including lead, which is known to the State of California to cause cancer, and lead, which is known to the State of California to cause birth defects or other reproductive harm. For more information go to www.P65Warnings.ca.gov.

Material Specifications

No.	Part	Materials
1	Body	Lead Free Brass - C46400
2	End Connection	Lead Free Brass - C46400
3	Ball	304 Stainless Steel
4	Seat (2)	PTFE
5	Stem	304 Stainless Steel
6	Packing	PTFE
7	Stem O-ring	Buna-N
8	Packing Gland	Lead Free Brass - C46400
9	Handle	Steel - Chrome Plated
10	Handle Nut	Steel - Chrome Plated
11	Lock Washer	Steel - Chrome Plated

Dimensions

Part No.	Size	A	B	C	D	E
103-554PG	3/4"	2.32	1.81	3.35	0.53	0.63
103-555PG	1"	2.89	2.09	4.29	0.71	0.80