

# Gas Ball Valve



## 2 Piece • Threaded Connection • 400 WOG



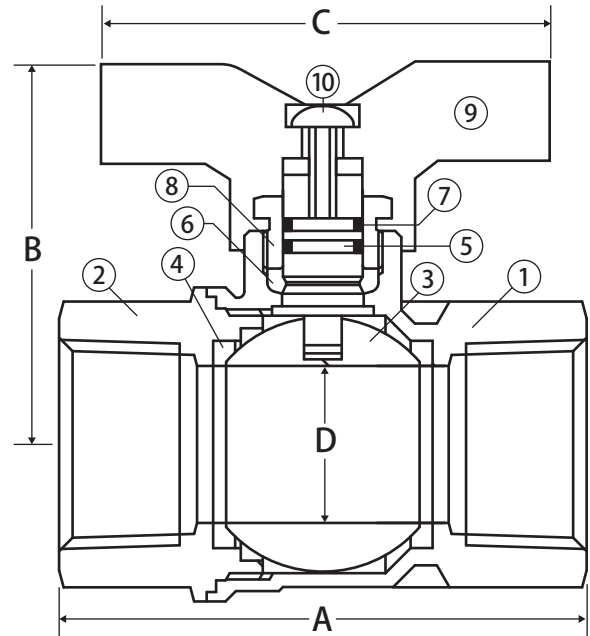
Teardrop Handle



T-handle

**T-205**

CRN# 0C16887.5469870YTN



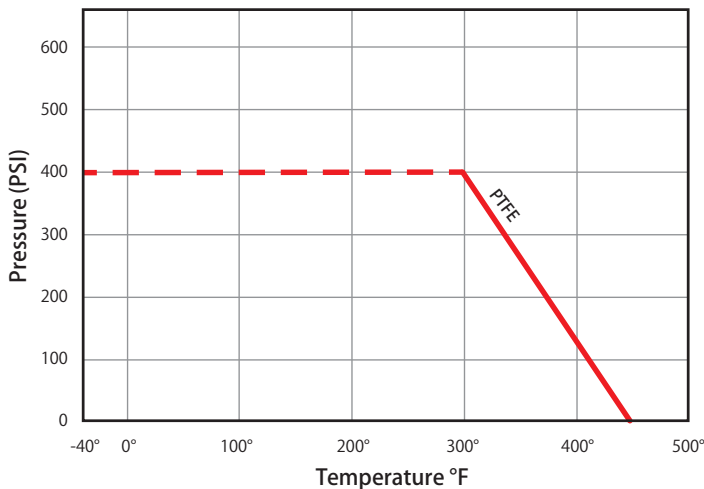
### Features

- Valve can be locked in the closed position by reversing the handle
- Triple sealing stem with 2 Viton® o-rings and Teflon® seal
- 100% leak tested
- 100% Made in Italy
- Leakproof stem - Lifetime Warranty

### Approvals

- CSA Certified
  - ANSI Z21.15 (.5 PSIG)
  - CGA 3.16 (125 PSIG)
- ANSI B1.20
- MSS SP-110

### Valve Seat Rating 400 WOG



### Material Specifications

No.	Part	Materials
1	Body	Brass - CW617N
2	End Connection	Brass - CW617N
3	Ball	Chrome Plated Brass - CW617N
4	Seat (2)	PTFE
5	Stem	Brass - CW614N
6	Packing	PTFE
7	Stem O-ring (2)	Viton®
8	Packing Gland	Brass - CW614N
9	Handle	Aluminum
10	Handle Screw	Steel - Geomet® Plated

### Dimensions

Part No.	Size	A	B	C	D
Yellow Teardrop Handle					
102-513	1/2" FIP	2.23	1.50	2.32	0.39
102-514	3/4" FIP	2.46	1.54	2.32	0.59
Red T-handle					
102-503	1/2" FIP	2.23	1.73	2.32	0.39
102-504	3/4" FIP	2.46	1.77	2.32	0.59
102-505	1" FIP	3.08	2.21	2.32	0.79