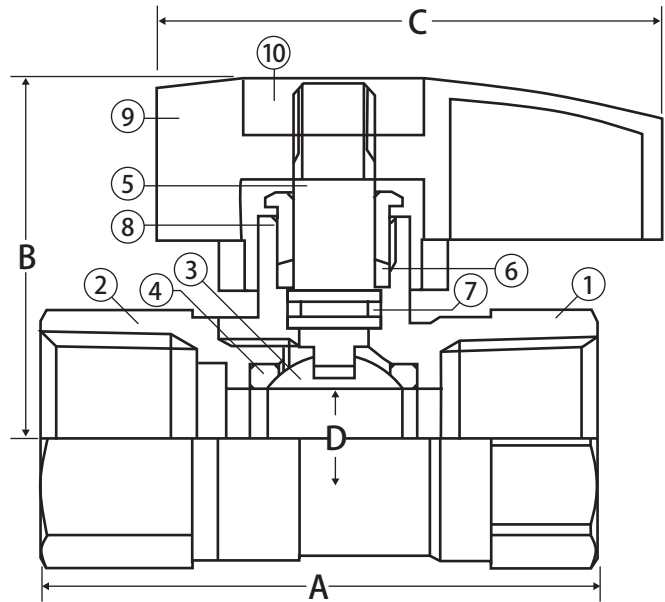
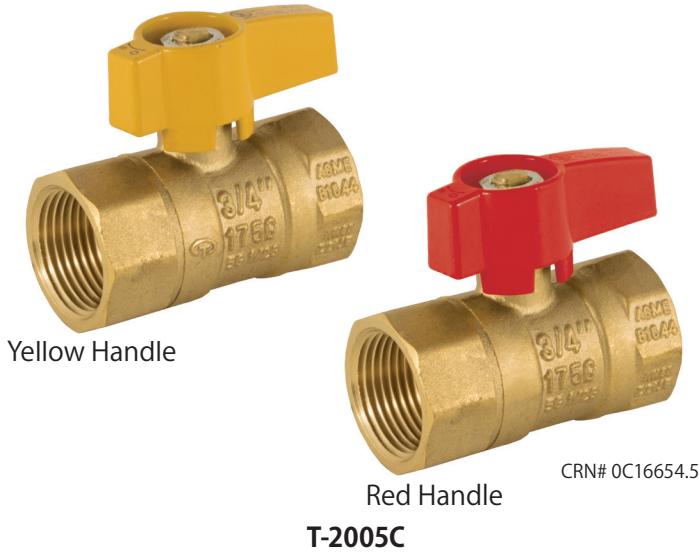


Gas Ball Valve

2 Piece • Threaded Connection



Features

- Gland follower and single o-ring stem design
- Valve can be locked in the open or closed position by reversing the handle
- 100% leak tested

Approvals

- UL Listed (1/2" - 3/4")
 - YSDT - LP gas shut-off valves
- CSA Certified
 - CGA 3.16 (125 PSIG)
 - ANSI Z21.15 (.5 PSIG)
 - CGA CR91 (5 PSIG)
 - ASME B16.44 (5 PSIG)
 - ASME B16.33 (125 PSIG)
- ANSI B1.20.1

Pressure Rating

- 175 PSIG
- Temp range: -20°F to 300°F
- MSS SP-110

WARNING: This product can expose you to chemicals including lead, which is known to the State of California to cause cancer, and lead, which is known to the State of California to cause birth defects or other reproductive harm. For more information go to www.P65Warnings.ca.gov.

Material Specifications

No.	Part	Materials
1	Body	Brass - C37700
2	End Connection	Brass - C37700
3	Ball	Chrome Plated Brass - C37700
4	Seat (2)	PTFE
5	Stem	Brass - C37700
6	Packing	PTFE
7	Stem O-ring	Buna-N
8	Packing Gland	Brass - C37700
9	Handle	Aluminum
10	Handle Nut	Steel - Chrome Plated

Dimensions

Part No.	Size	A	B	C	D
Yellow Handle					
102-603	1/2"	2.20	1.44	1.97	0.39
102-604	3/4"	2.35	1.57	1.97	0.59
102-605	1"	2.87	1.69	1.97	0.75
Red Handle					
102-623	1/2"	2.20	1.44	1.97	0.39
102-624	3/4"	2.35	1.57	1.97	0.59
102-625	1"	2.87	1.69	1.97	0.75