

# Lead Free Brass Ball Valve

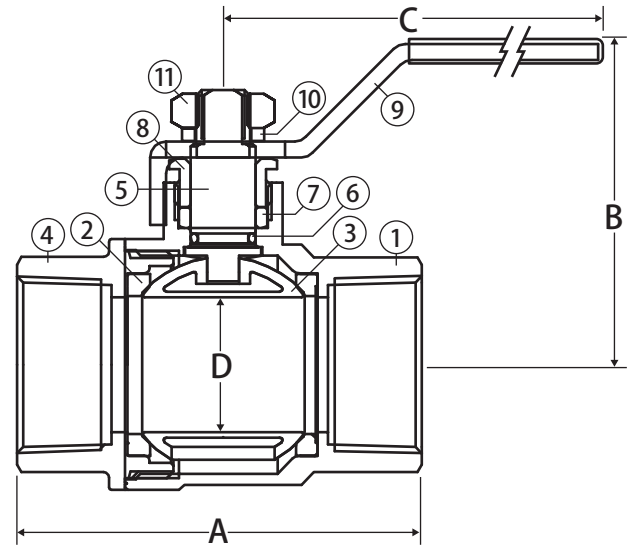


2 Piece • Full Port • Threaded Connection • 600 WOG



T-150G

CRN# 0C17996.52



## Features

- Dezincification resistant brass alloy
- Gland follower and single o-ring stem design
- Blow-out proof stem
- Wetted surfaces contain less than .25% lead content

## Approvals



- UL Listed
  - VQGU - Trim & drain (1/2" - 2")
  - MHKZ - Manual valves
  - YQNZ - Compressed gas shut-off valves
  - YRBX - Flammable liquid shut-off valves
  - YRPV - Gas shut-off valves
  - YSDT - LP gas shut-off valves
- IAPMO Certified
  - NSF 61-8
  - NSF 372
  - Uniform Plumbing Code (cUPC) (1/2" - 2")
    - IAPMO/ANSI Z1157-2014
    - NSF/ANSI 14-2014
- CSA Certified (.5, 5, 125 PSIG) (1/2" - 2")
  - CGA 3.16
  - ASME B16.33
  - ANSI Z21.15
  - ASME B16.44
  - CGA CR91
- MSS SP-110
- ANSI B1.20.1

## Material Specifications

No.	Part	Materials
1	Body	Lead Free Brass - C46500
2	Seat (2)	PTFE
3	Ball*	Chrome Plated LF Brass - C46500
4	End Connection	Lead Free Brass - C46500
5	Stem	Brass - 37700
6	O-ring	Viton
7	Packing	PTFE
8	Packing Gland	Brass - 37700
9	Handle	Steel
10	Lock Washer	Steel
11	Handle Nut	304 Stainless Steel

\*1" - 4" have 316SS ball

## Dimensions

Part No.	Size	A	B	C	D
150-103G	1/2"	2.09	1.78	3.94	0.59
150-104G	3/4"	2.38	1.94	3.94	0.79
150-105G	1"	2.93	2.20	4.33	0.98
150-106G	1-1/4"	2.93	2.54	5.00	1.26
150-107G	1-1/2"	3.63	3.02	6.18	1.57
150-108G	2"	4.17	3.34	6.18	1.97
150-109G	2-1/2"	5.33	4.72	9.45	2.56
150-110G	3"	6.01	5.12	9.45	2.95
150-111G	4"	7.23	6.57	9.45	3.96

## Valve Seat Rating

600 WOG - 150 WSP

