

Bar Sink Strainer

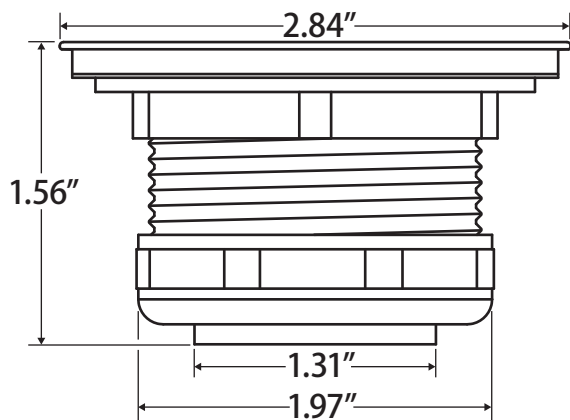
400 Grade Stainless Steel Bar Sink Strainer



SS410

The SS410 strainer is constructed of 400 grade stainless steel with a zinc tail nut. To prevent unwanted clogs and blockages, this strainer is an affordable and practical choice. Fits most standard bar sink openings.

Fits sinks which have a thickness between 1/16" and 3/4"



No.	Materials
	305-410
1	Strainer SS430
2	Body Polished SS430
3	Rubber Washer BUNA-N
4	Lock Nut Zinc
5	Seal Ring Polyethylene
6	Tail Nut Zinc

Note: Includes friction ring