

Snap Loc Basket Strainer

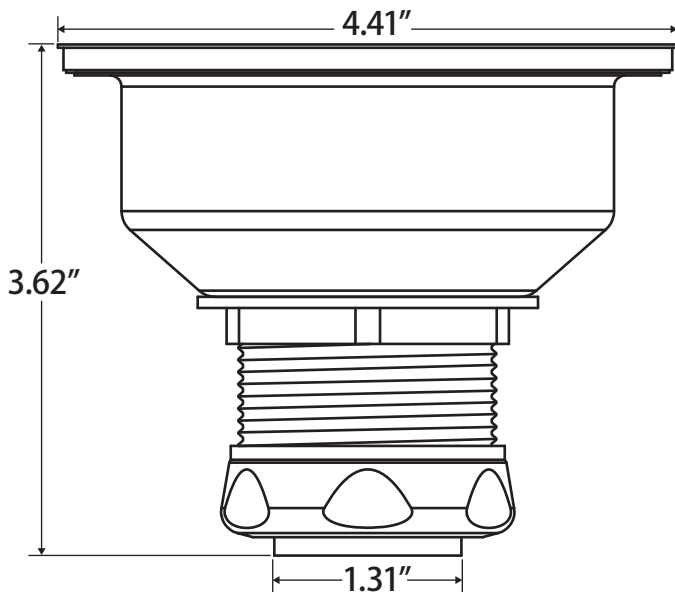
400 Grade Stainless Steel Sink Strainer



SS406

The SS406 is a rugged yet affordable version of a popular Designer Series strainer. Constructed with a 400 grade stainless steel deep cup body, this strainer provides that popular 'snap loc' seal. It also includes a stainless steel basket, ball-bearing post and a brass tail nut, making it a durable and reasonable choice.

Fits sinks which have a thickness between 1/16" and 3/4"



No.	Materials
	305-406
1	Handle Chrome Plated Brass
2	Strainer Basket SS430
3	Body Polished SS430
4	Rubber Washer BUNA-N
5	Cup Galvanized Steel
6	Lock Nut Zinc
7	Seal Ring Polyethylene
8	Tail Nut Brass

Note: Includes friction ring