

Twist Loc Basket Strainer

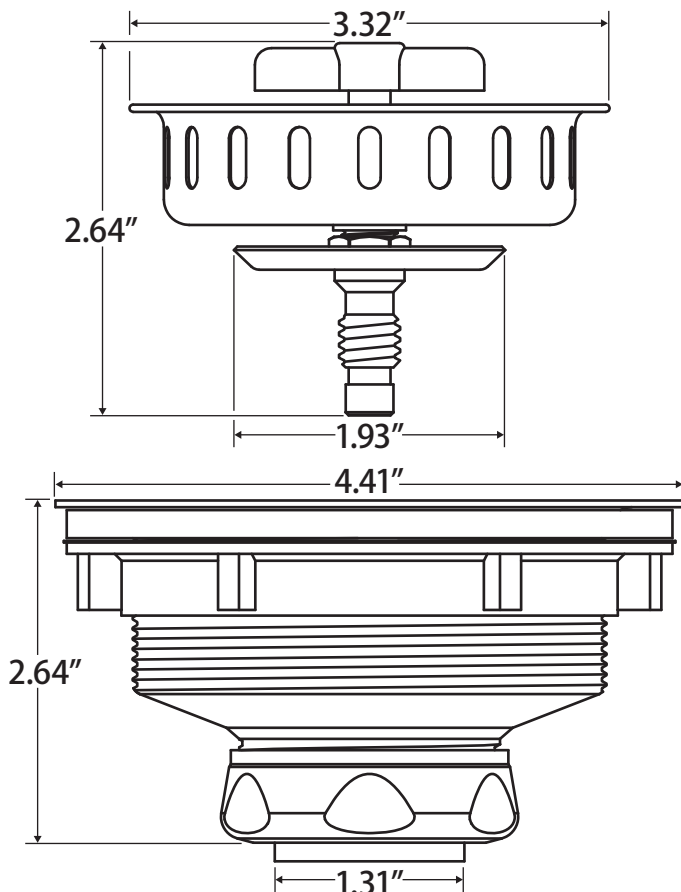
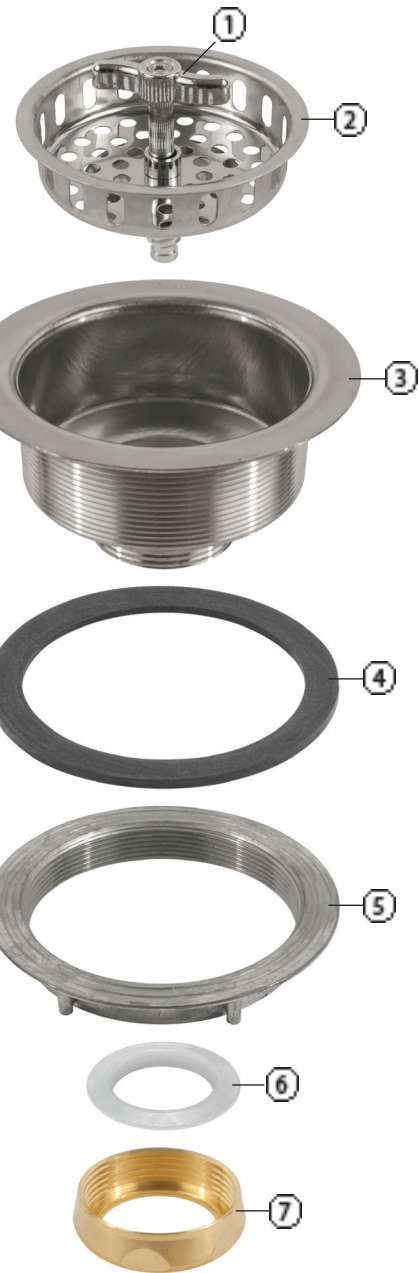
400 Grade Stainless Steel Sink Strainer



SS404

Featuring a twistable post design to create a positive metal-to-metal leak-proof seal, this strainer is manufactured with 400 grade stainless steel. Adding extra quality with a dense BUNA washer and brass tail nut, this strainer is an affordable option that performs to meet your everyday needs.

Fits sinks which have a thickness between 1/16" and 3/4"



No.	Materials	
	305-404	
1	Handle	Chrome Plated Zinc
2	Strainer Basket	Polished SS430
3	Body	Polished SS430
4	Rubber Washer	BUNA-N
5	Lock Nut	Zinc
6	Seal Ring	Polyethylene
7	Tail Nut	Brass

Note: Includes friction ring

WARNING: This product can expose you to chemicals including lead, which is known to the State of California to cause cancer, and lead, which is known to the State of California to cause birth defects or other reproductive harm. For more information go to www.P65Warnings.ca.gov.