

Economy Strainer

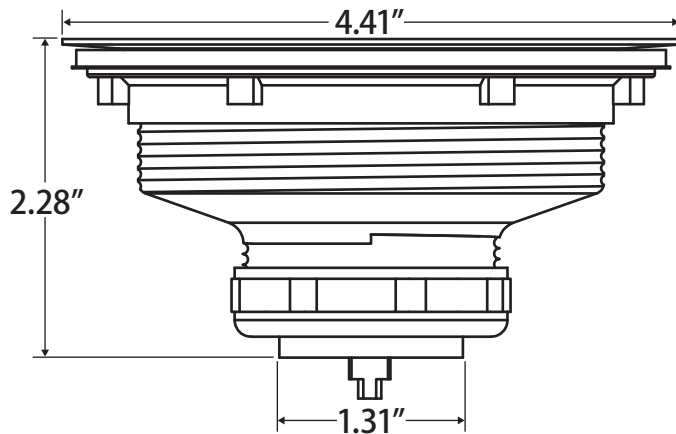
400 Grade Stainless Steel Sink Strainer



SS401

Quality at an affordable price, the SS401 meets your day to day strainer needs. With a 90 degree turn, the post can conveniently open or close the basket to slow the drain of water. Easy to install, this 400 grade stainless steel strainer body and basket includes a chrome plated ABS handle, zinc lock nut and tail nut.

Fits sinks which have a thickness between 1/16" and 3/4"



No.	Materials
	305-401
1	Handle
2	Strainer Basket
3	Body
4	Rubber Washer
5	Lock Nut
6	Seal Ring
7	Tail Nut

Note: Includes friction ring