

Snap-Tite™ Basket Strainer

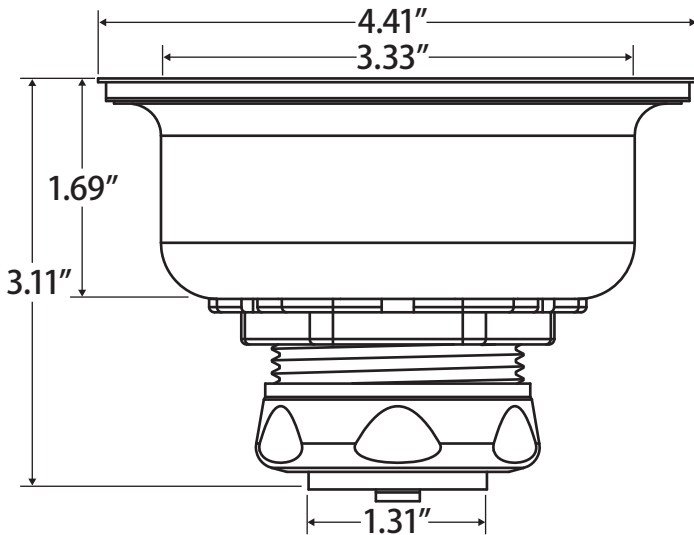
300 Grade Stainless Steel Sink Strainer



SS-440

The Snap-Tite™ basket strainer utilizes a stem clip that can switch from straining to a positive leak-proof rubber seal with a simple push or pull motion. The Snap-Tite™ body and basket are high quality stainless steel and comes standard with a zinc or brass lock nut and tail nut. This strainer has the basics of quality that The Designer Series is known for.

Fits sinks which have a thickness between 1/16" and 3/4"



WARNING: This product can expose you to chemicals including lead, which is known to the State of California to cause cancer, and lead, which is known to the State of California to cause birth defects or other reproductive harm. For more information go to www.P65Warnings.ca.gov.

No.	Materials	
	300-012	300-014
1 Handle	Chrome Plated Brass	
2 Strainer Basket	SS304	
3 Body	Polished SS304	
4 Rubber Washer	BUNA-N	
5 Cup	Polished Galvanized SS304	Galvanized SS304
6 Lock Nut	Zinc	Brass
7 Seal Ring	Polyethylene	
8 Tail Nut	Zinc	Brass

Note: All models include friction ring