

# Bar-ette™ Basket Strainer

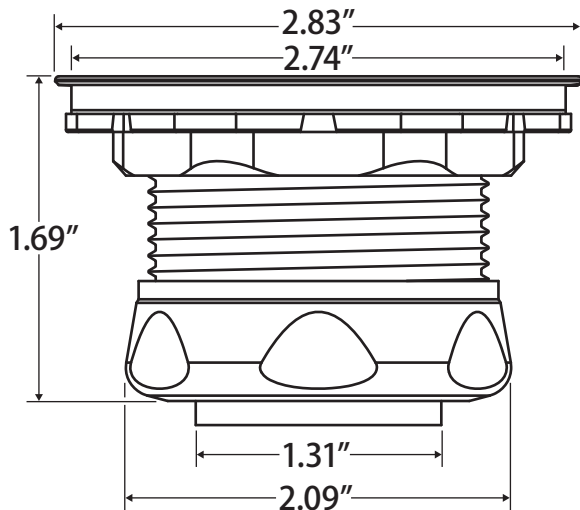
## Chrome Plated Brass Bar Sink Strainer



**SS-310**

To prevent unwanted clogs and blockages, the Bar-ette™ strainer features a stainless steel grill. Models come in either a chrome plated brass or brushed stainless steel finish with a standard brass tail nut. This strainer fits most standard bar sinks openings.

**Fits sinks which have a thickness between 1/16" and 3/4"**



No.	Materials	
	300-102	300-020CLAM*
1 Strainer	Chrome Plated SS304	Brushed SS304
2 Body	Chrome Plated Brass	Brushed SS304
3 Rubber Washer	BUNA-N	
4 Lock Nut	Brass	
5 Seal Ring	Polyethylene	
6 Tail Nut	Brass	

\*Sold in a clamshell package shown above  
Note: All models include friction ring