

Snap-N-Loc® Basket Strainer

300 Grade Stainless or Brushed Stainless Steel Sink Strainer

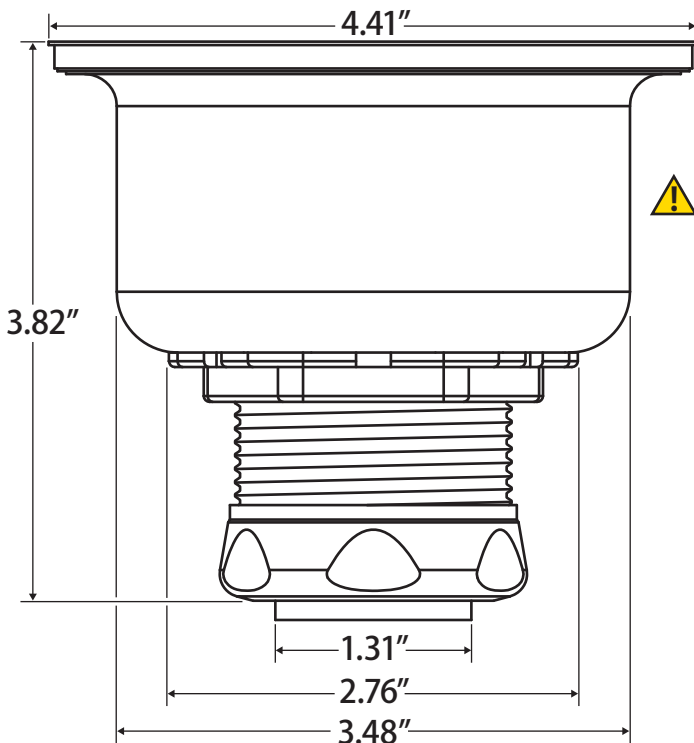
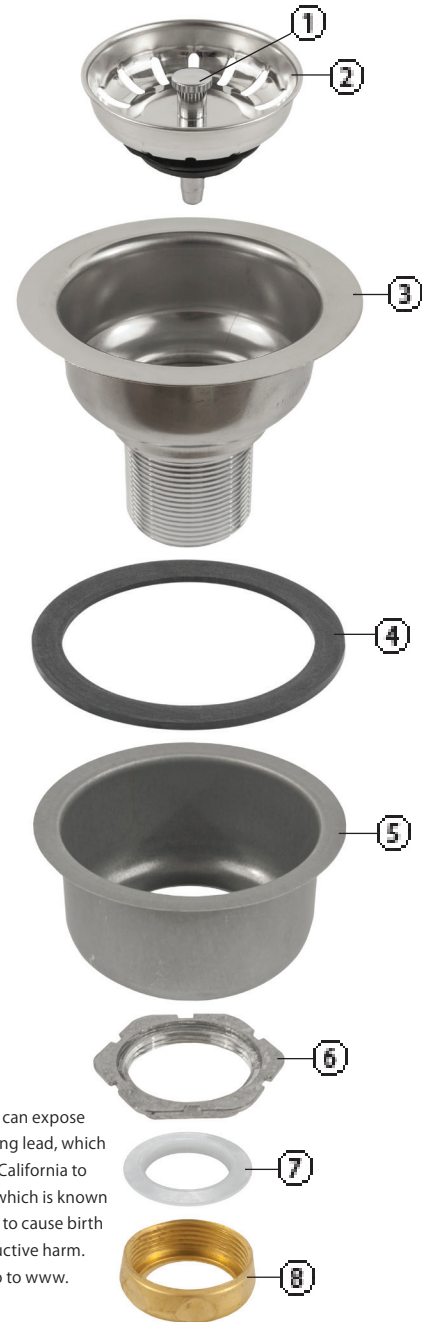


SS-306



As one of Jomar's more popular basket strainers, the Snap-N-Loc® is known for its original spring-loaded ball bearing post design that snaps perfectly into place, creating a positive leak-proof seal every time. This popular strainer is constructed with a high quality stainless steel deep-cup body, ball bearing, and basket, and comes standard with a brass tail nut. With a sleek design and proven track record, it has become such a favorite among installers that it is offered in brushed or polished stainless steel finish.

Fits sinks which have a thickness between 1/16" and 3/4"



WARNING: This product can expose you to chemicals including lead, which is known to the State of California to cause cancer, and lead, which is known to the State of California to cause birth defects or other reproductive harm. For more information go to www.P65Warnings.ca.gov.

No.	Materials		
	300-006	300-008	300-017CLAM*
1	Handle Chrome Plated Brass		
2	Strainer Basket SS304 Brushed SS304		
3	Body Polished SS304 Brushed SS304		
4	Rubber Washer BUNA-N		
5	Cup Galvanized Steel		
6	Lock Nut Zinc Brass		
7	Seal Ring Polyethylene		
8	Tail Nut Brass		

*Sold in a clamshell package shown above
Note: All models include friction ring