

Easy-Loc® Basket Strainer

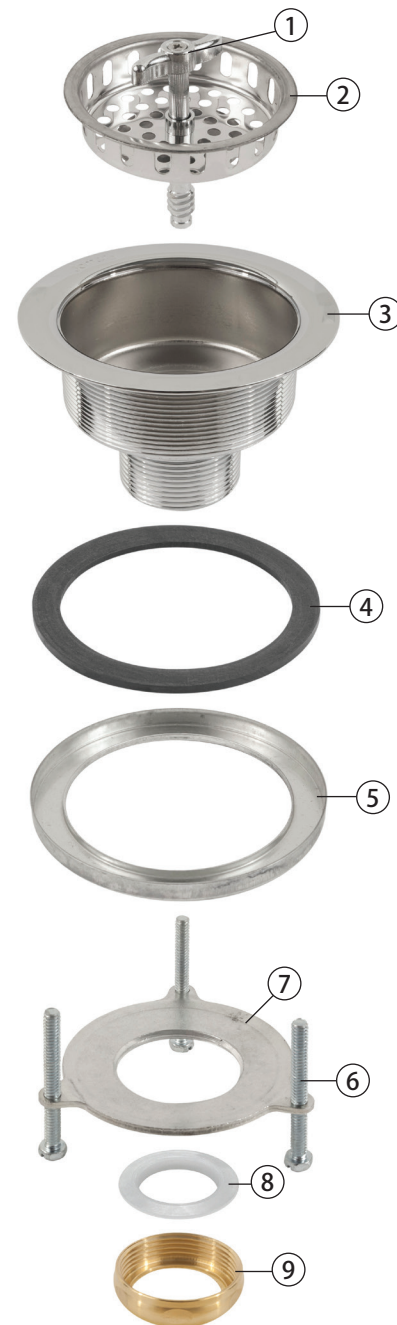
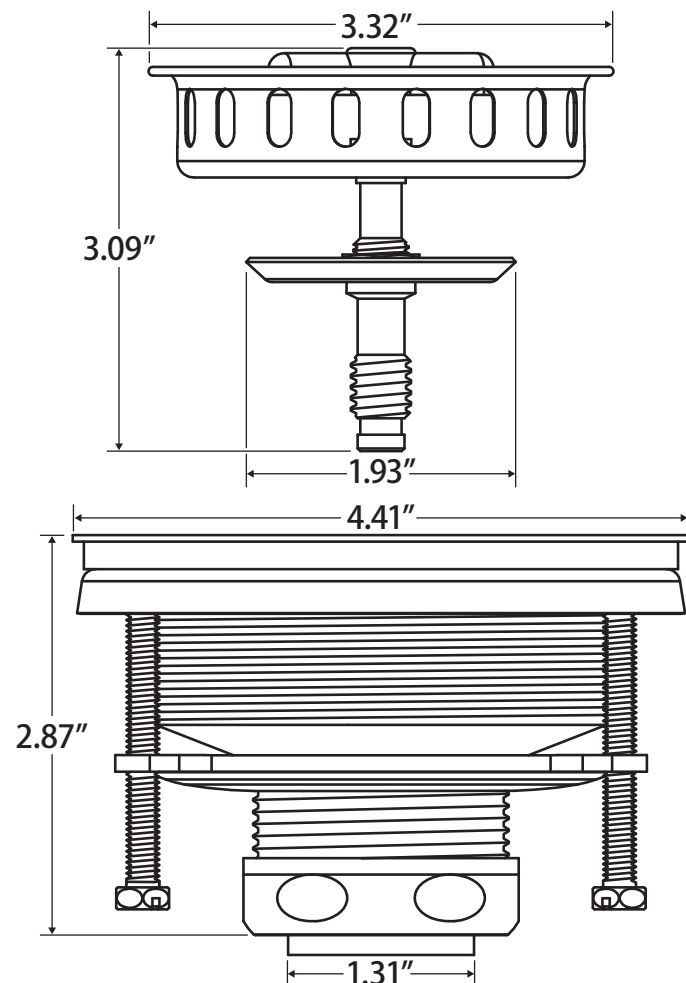
Chrome Plated Brass Sink Strainer



SS-305

If you prefer all that the Twist-N-Loc® has to offer then the Easy Loc® may also be a great fit for you. This strainer affords you all the benefits of the Twist-N-Loc® but also incorporates a labor-saving easy mounting device. You simply use a screw driver to tighten three securing bolts for easy installation.

Fits sinks which have a thickness between 1/16" and 1"



No.	Materials
	300-004
1	Handle Chrome Plated Zinc
2	Strainer Basket SS304
3	Body Chrome Plated Brass
4	Rubber Washer BUNA-N
5	Locking Ring Galvanized Iron
6	Bolts Galvanized Iron
7	Triangle Nut Galvanized Iron
8	Seal Ring Polyethylene
9	Tail Nut Brass

Note: Includes friction ring