

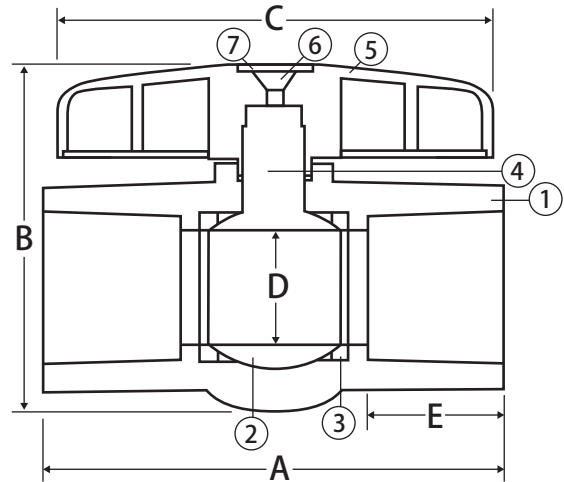
Thermoplastic Valve



CPVC • Copper Tube Size • Solvent Connection • 150 WOG



S-605



Features

- CTS connections
- For hot/cold water systems
- Quarter-turn operation
- Large port
- Easy installation
- Wetted surfaces contain less than .25% lead content
- Bone color

Approvals

- NSF 61-8 Certified
- NSF 61 - Annex G
- NSF 372
- IAPMO PS 112-99
- ASTM F1970

Pressure Rating

- Max service temperature 180°F, 150 PSI @ 73°F continuous
- Min temperature 32°F

Material Specifications

No.	Part	Materials
1	Body	CPVC
2	Ball / Stem	CPVC
3	Seat (2)	PTFE
4	O-ring	EPDM
5	Handle	ABS Plastic
6	Bolt	Steel - Zinc Plated
7	Cap	ABS Plastic

Dimensions

Part No.	Size	A	B	C	D	E
210-603	1/2"	2.68	1.93	2.36	0.49	0.75
210-604	3/4"	3.23	2.52	2.76	0.72	0.87
210-605	1"	3.74	3.11	3.46	0.93	1.00
210-606	1-1/4"	4.17	3.66	3.94	0.98	1.11
210-607	1-1/2"	4.49	3.86	3.94	1.18	1.26
210-608	2"	5.69	4.53	4.29	1.42	1.69



WARNING: This product can expose you to chemicals including lead, which is known to the State of California to cause cancer, and lead, which is known to the State of California to cause birth defects or other reproductive harm. For more information go to www.P65Warnings.ca.gov.