

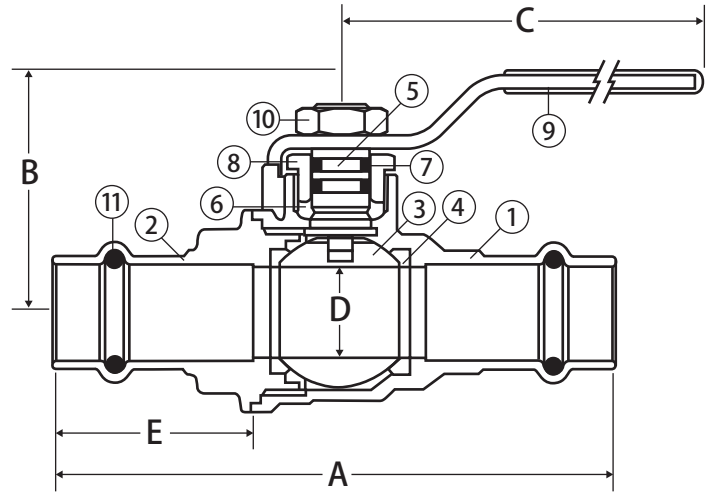
Lead Free Brass Ball Valve



2 Piece • Full Port • Press Connection • with Stainless Steel Ball and Stem • 250 WOG



JP-100SSG



Features

- Dezincification resistant brass alloy
- Triple sealing stem with 2 Viton® o-rings and Hostaflo® seal
- Blow-out proof stem
- 100% leak tested
- 100% Made in Italy
- Leakproof stem - Lifetime Warranty
- Wetted surfaces contain less than .25% lead content

Approvals

- NSF 372
- NSF 61-8
- Conforms to IAPMO PS 117

Pressure/Temperature Rating

- 250 WOG
- Max. 250° F

Material Specifications

No.	Part	Materials
1	Body	Lead Free Brass - CW511L
2	End Connection	Lead Free Brass - CW511L
3	Ball	316 Stainless Steel
4	Seat (2)	Hostaflo® TFM 1600
5	Stem	316 Stainless Steel
6	Packing	Hostaflo® TFM 1600
7	Stem O-ring (2)	Viton®
8	Packing Gland	Brass - CW614N
9	Handle	Steel - Geomet® Plated
10	Handle Nut	Steel - Geomet® Plated
11	O-ring (2)	EPDM

Dimensions

Part No.	Size	A	B	C	D	E	Cv
100-203SSG	1/2"	3.54	1.53	2.95	0.59	1.24	16.82
100-204SSG	3/4"	3.84	1.95	3.74	0.79	1.28	34.80
100-205SSG	1"	4.31	2.40	4.75	0.97	1.38	52.20
100-206SSG	1-1/4"	4.80	2.59	4.75	1.23	1.30	112.52
100-207SSG	1-1/2"	5.61	3.22	6.00	1.49	1.50	174.00
100-208SSG	2"	7.16	3.40	6.00	1.99	2.01	255.20