

# Lead Free Brass Ball Valve



**2 Piece • Full Port • Solder Connection • 600 WOG •  
Stainless Steel Ball and Stem**



**JF-100SG**

CRN# OC16654.5

### Features

- Dezincification resistant brass
- Gland follower and single o-ring stem design
- Blow-out proof stem
- Stainless steel ball and stem
- 100% leak tested
- Wetted surfaces contain less than .25% lead content

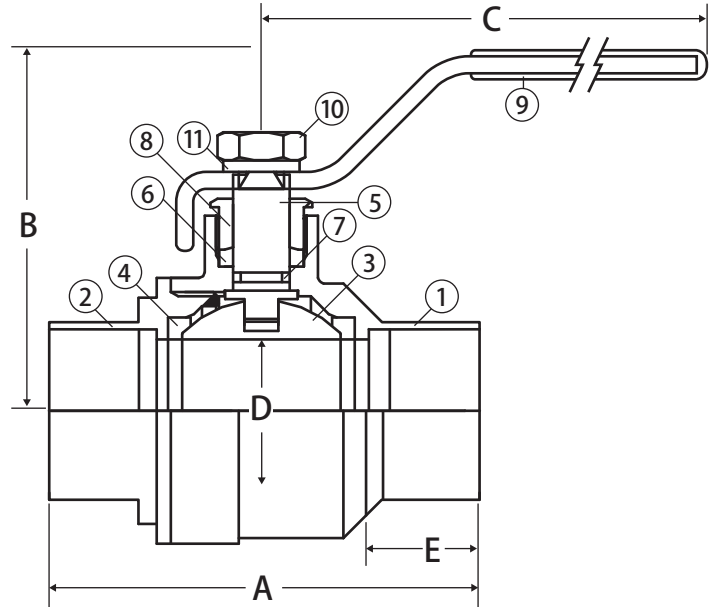
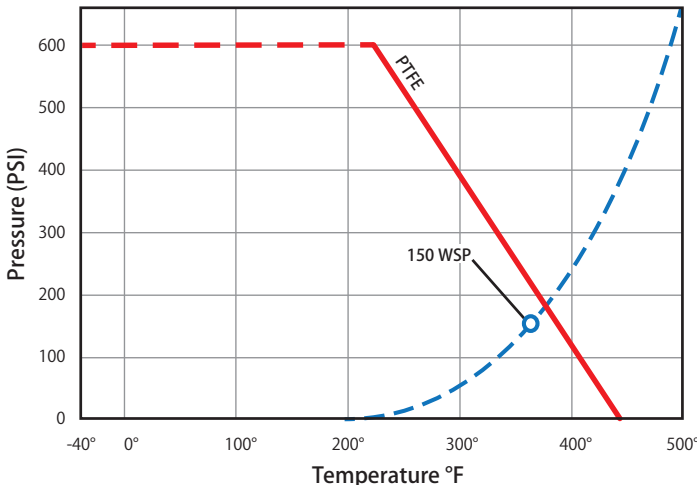
### Approvals



- UL Listed up to 175 PSI (1/2" - 2")
  - MHKZ - Manual valves
  - YRPV - Gas shut-off valves
- IAPMO Certified
  - NSF 61-8
  - NSF 372
  - Uniform Plumbing Code (UPC)
    - IAPMO/ANSI Z1157-2014
    - NSF/ANSI 14-2014
- MSS SP-110
- ASME/ANSI B16.18

### Valve Seat Rating

600 WOG - 150 WSP



### Material Specifications

No.	Part	Materials
1	Body	Lead Free Brass - C46500
2	End Connection	Lead Free Brass - C46500
3	Ball	304 Stainless Steel
4	Seat (2)	PTFE
5	Stem	304 Stainless Steel
6	Packing	PTFE
7	Stem O-ring	Buna-N
8	Packing Gland	Lead Free Brass - C464500
9	Handle	Steel - Chrome Plated
10	Handle Nut	Steel - Chrome Plated
11	Lock Washer	Steel - Chrome Plated

### Dimensions

Part No.	Size	A	B	C	D	E
100-113SSG	1/2"	2.17	1.81	3.35	0.59	0.50
100-114SSG	3/4"	2.80	2.36	4.29	0.75	0.75
100-115SSG	1"	3.27	2.52	4.29	0.98	0.86
100-116SSG	1-1/4"	4.10	2.52	5.63	1.26	1.08
100-117SSG	1-1/2"	4.33	2.80	5.63	1.57	0.98
100-118SSG	2"	5.34	3.11	5.63	1.97	1.21
100-119SSG	2-1/2"	6.39	4.25	7.76	2.52	1.48
100-120SSG	3"	7.10	4.92	8.37	2.95	1.66
100-121SSG	4"	9.56	5.85	9.25	3.90	2.22