

Direct Mount Ball Valve



**2 Piece • Full Port • Flanged Connection • Class 150 •
with ISO Mounting Pad**



A2020D

Features

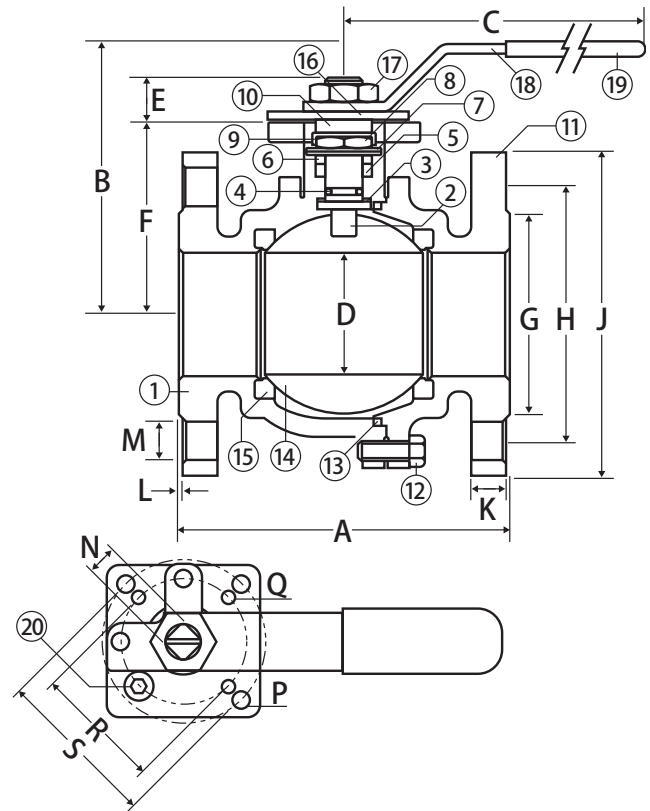
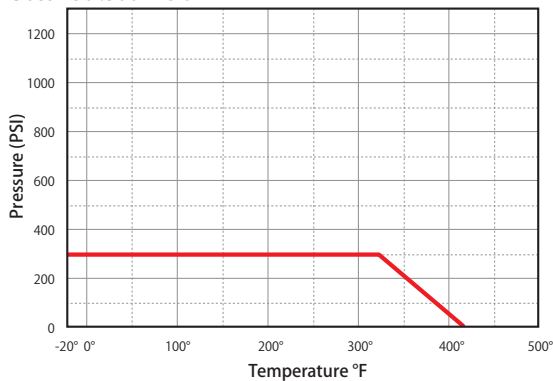
- ISO 5211 direct mounting pad
- Blow out proof stem
- Locking device comes standard
- 100 % leak tested
- Wetted surface contains less than .25% lead content

Approvals

- Conforms to ANSI B16.34
- Flange: ANSI B16.5
- Face to Face: ANSI B16.10
- API 598
- NACE MR-01-75

Valve Seat Rating

Class 150 :300 WOG



Material Specifications

No.	Part	Materials	No.	Part	Materials
1	Body	CF8M	13	Gasket	PTFE
2	Stem	SS316	14	Ball	SS316
3	Thrust Washer	RPTFE	15	Ball Seat	RPTFE
4	O-Ring	Viton®	16	Stopper Plate	SS304
5	Stem Packing	PTFE	17	Handle Nut	SS304
6	Gland	SS304	18	Handle	SS304
7	Disk Washer	SS301	19	Sleeve	Plastic
8	Stem Nut	SS304	20	Stop Pin	SS304
9	Nut Stop	SS304	21	Set Bolt*	SS304
10	Washer	SS304	22	Lever Head*	CF8
11	Flanged End	CF8M	23	Pipe Handle*	Steel Pipe
12	Bolt	SS304			

* Not shown and only on 2-1/2" + valves



WARNING: This product can expose you to chemicals including diisononyl phthalate (DINP), which is known to the State of California to cause cancer, and diisononyl phthalate (DINP), which is known to the State of California to cause birth defects or other reproductive harm. For more information go to www.P65Warnings.ca.gov.

Dimensions

Part No.	Size	A	B	C	D	E	F	G	H	J	K	L	M	N	P	Q	R	S	Bolts	Torque
A2020D-12	1/2"	4.25	3.15	5.12	0.59	0.43	1.89	1.38	2.38	3.50	0.45	0.06	0.63	0.35	0.24	0.24	1.42	1.65	4	63.7
A2020D-34	3/4"	4.61	3.15	5.12	0.79	0.43	2.09	1.69	2.76	3.86	0.45	0.06	0.63	0.35	0.24	0.24	1.42	1.65	4	83.2
A2020D-1	1"	5.00	3.54	6.50	0.98	0.55	2.32	2.01	3.13	4.25	0.45	0.06	0.63	0.43	0.28	0.24	1.65	1.97	4	117
A2020D-114	1-1/4"	5.51	4.02	6.50	1.26	0.55	2.80	2.52	3.50	4.61	0.50	0.06	0.63	0.43	0.28	0.24	1.65	1.97	4	161
A2020D-112	1-1/2"	6.50	4.33	8.07	1.50	0.71	2.99	2.87	3.88	5.00	0.56	0.06	0.63	0.55	0.36	0.28	1.97	2.76	4	266
A2020D-2	2"	7.01	4.72	8.07	1.97	0.71	3.35	3.62	4.74	5.98	0.63	0.06	0.75	0.55	0.36	0.28	1.97	2.76	4	319
A2020D-212	2-1/2"	7.48	5.51	11.81	2.56	0.91	3.68	4.13	5.49	7.01	0.70	0.06	0.75	0.67	0.45	0.36	2.76	4.02	4	841
A2020D-3	3"	7.99	5.91	13.39	3.15	0.91	4.06	5.00	6.00	7.48	0.75	0.06	0.75	0.67	0.45	0.36	2.76	4.02	4	1170
A2020D-4	4"	9.02	7.09	16.54	3.94	0.98	5.20	6.18	7.50	9.02	0.94	0.06	0.75	0.87	0.53	0.45	4.02	4.92	8	2170

Note: Torque is in (in-lb)