

Direct Mount Ball Valve



Reduced Port • 3-Way Flanged Connection • Class 150



A-766L

Features

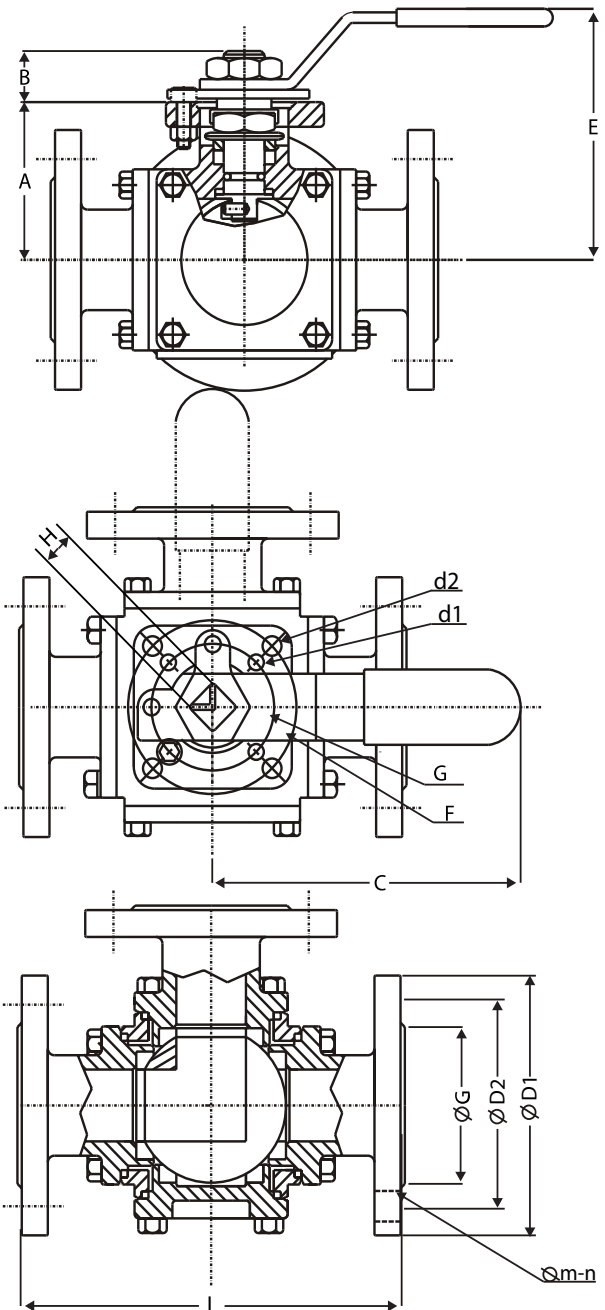
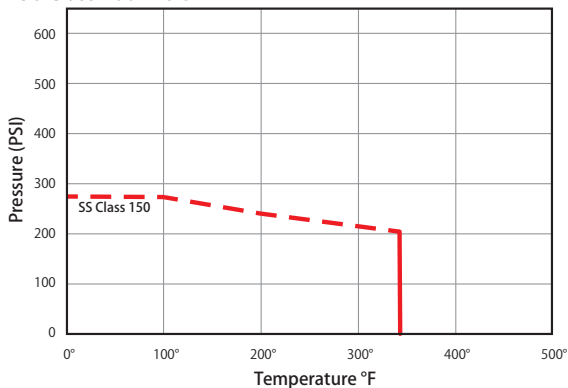
- Compact design
- AISI 316 stainless steel
- ANSI 150 flanged
- Max Temp 344°F
- Blow out proof stem
- 100% tested
- L-port style
- T-port available upon request
- Wetted surface contains less than .25% lead content
- Contact Jomar Valve for material specs

Approvals

- ASME/ANSI B16.5

Valve Seat Rating

150 Class 200 WOG



Dimensions

| Part No. | Size | A | B | C | D1 | D2 | d1 | d2 | E | F | G | H | L | M | N |
|-----------|--------|------|------|-------|------|------|------|------|------|------|------|------|-------|------|---|
| A766L-12 | 1/2" | 1.61 | 0.43 | 5.12 | 3.50 | 2.38 | 0.24 | 0.24 | 2.44 | 1.65 | 1.42 | 0.35 | 5.98 | 0.63 | 4 |
| A766L-34 | 3/4" | 1.93 | 0.55 | 6.50 | 3.86 | 2.76 | 0.24 | 0.28 | 3.23 | 1.97 | 1.65 | 0.43 | 6.57 | 0.63 | 4 |
| A766L-1 | 1" | 2.17 | 0.55 | 6.50 | 4.25 | 3.13 | 0.24 | 0.28 | 3.50 | 1.97 | 1.65 | 0.43 | 7.48 | 0.63 | 4 |
| A766L-114 | 1-1/4" | 2.48 | 0.67 | 8.07 | 4.61 | 3.50 | 0.28 | 0.36 | 3.86 | 2.76 | 1.97 | 0.55 | 8.19 | 0.63 | 4 |
| A766L-112 | 1-1/2" | 2.91 | 0.63 | 8.07 | 5.00 | 3.88 | 0.28 | 0.36 | 4.25 | 2.76 | 1.97 | 0.55 | 8.66 | 0.63 | 4 |
| A766L-2 | 2" | 3.66 | 0.83 | 12.80 | 5.98 | 4.74 | 0.36 | 0.45 | 5.51 | 4.02 | 2.76 | 0.67 | 9.96 | 0.63 | 4 |
| A766L-212 | 2-1/2" | 4.67 | 0.98 | 15.75 | 7.01 | 5.49 | 0.43 | - | - | - | 4.02 | 0.87 | 11.81 | 0.75 | 4 |
| A766L-3 | 3" | 5.37 | 0.98 | 19.69 | 7.48 | 6.00 | 0.43 | - | - | - | 4.02 | 0.87 | 12.01 | 0.75 | 4 |
| A766L-4 | 4" | 6.16 | 0.98 | 25.59 | 9.01 | 7.50 | 0.43 | - | - | - | 4.02 | 0.87 | 14.51 | 0.75 | 8 |