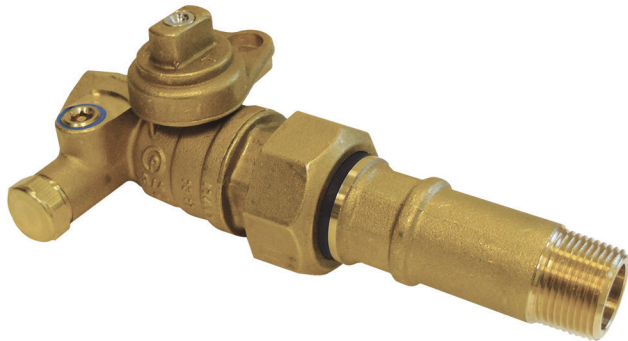


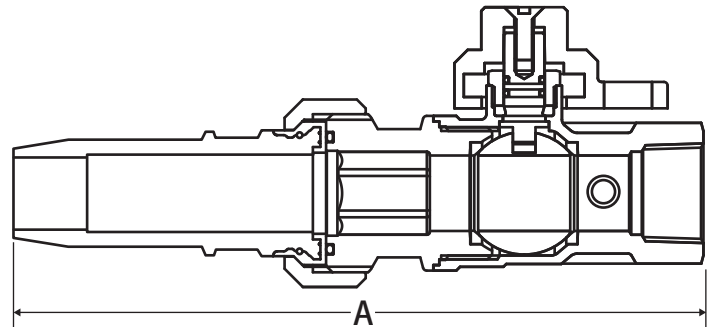
Lockwing



Utility Gas Ball Valve • Full Port • Service Bypass • 175 PSIG • with Insulated Extended Male Tail Piece



175-LWIBP-EXT



Features

- Tamper resistant lockwing cap
- 100% leak tested
- Made in Italy
- Leakproof stem - Lifetime Warranty
- Patented security shutter and lockwing tab
 - US Patent no. 6,648,009

Approvals

- Meets or exceeds applicable part of DOT 192 and ANSI B16.33
- MSS SP-110

Material Specifications

- See specs for 175-LWIBP

Dimensions

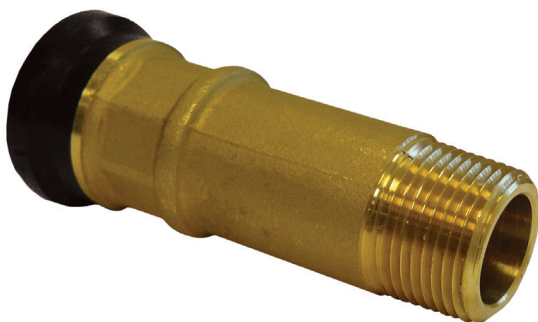
| Part No. | Size | A |
|------------|------|------|
| 243-004EXT | 3/4" | 7.63 |

Pressure Rating

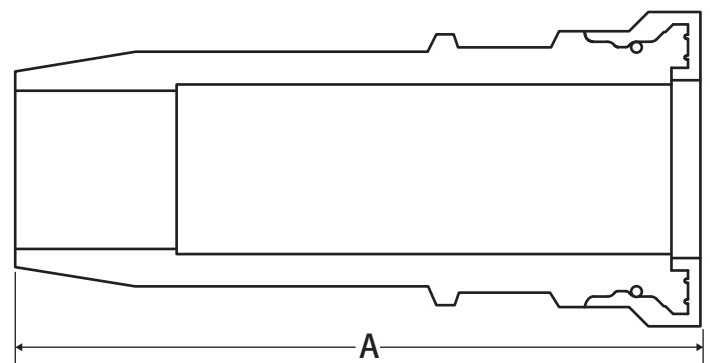
- 175 PSIG
- Temp range: -40°F to 300°F

Extended Tail Piece

Insulated Extended Male Tail Piece



Extended Male Tail Piece



Features

- To be ordered in conjunction with 175-LWIN
- 100% Made in Italy

Pressure Rating

- 175 PSIG
- Temp range: -40°F to 300°F

Material Specifications

| No. | Part | Materials |
|-----|------------|----------------|
| 1 | Tail piece | Brass - CW617N |

Dimensions

| Part No. | Size | A |
|------------|------|------|
| 241-004EUM | 3/4" | 3.69 |