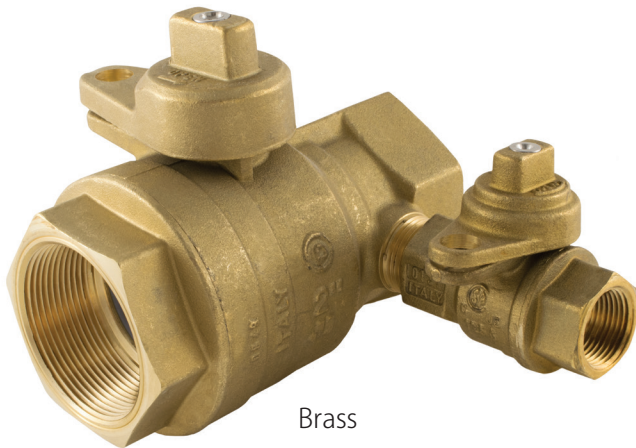


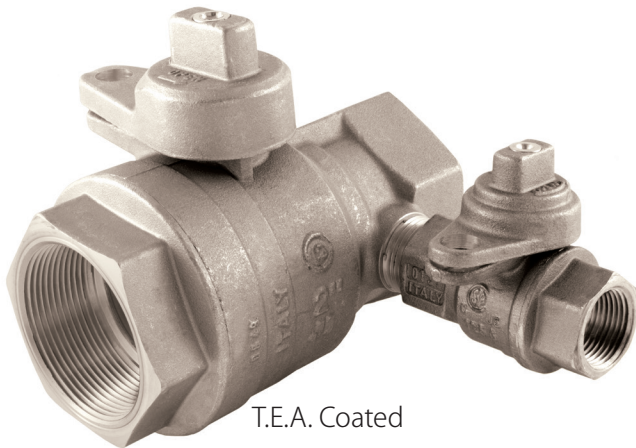
# Commercial Lockwing



## Utility Gas Ball Valve • Full Port • Service Bypass • 175 PSIG

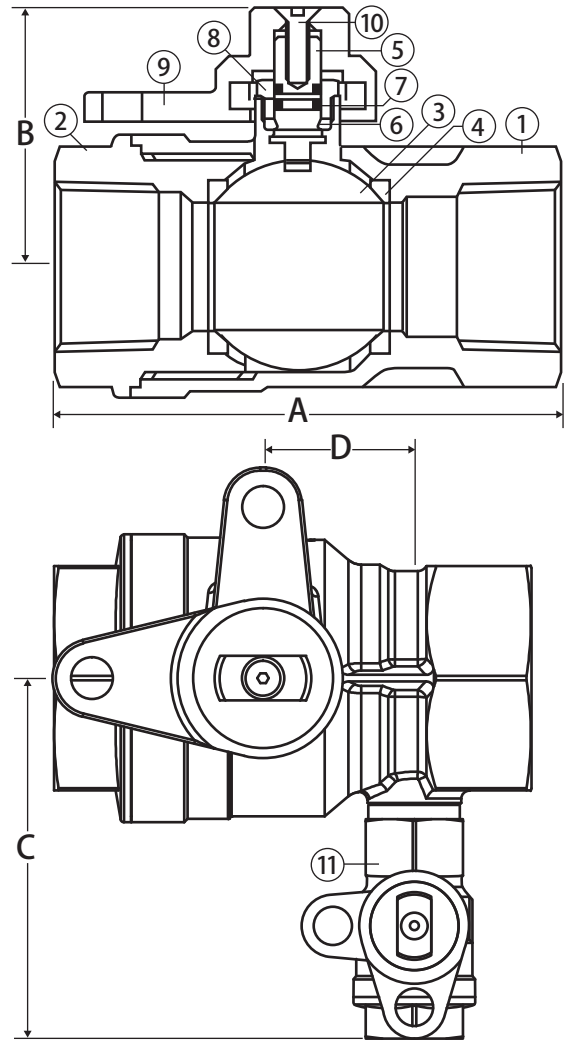


Brass



T.E.A. Coated

### 175-LWBP Commercial



#### Features

- Tamper resistant lockwing cap
- 2 Viton® o-rings
- Full port design to accommodate industry leading stop changers
- Lockwing accommodates standard barrel locks
- Maintenance free design
- 100% leak tested
- 100% Made in Italy
- Leakproof stem - Lifetime Warranty
- 3/4" bypass valve

#### Approvals

- Meets or exceeds applicable part of DOT 192 and ANSI B16.33
- MSS SP-110

#### Pressure Rating

- 175 PSIG
- Temp range: -40°F to 300°F

#### Material Specifications

No.	Part	Materials
1	Body*	Brass - CW617N
2	End Connection*	Brass - CW617N
3	Ball	Chrome Plated Brass - CW617N
4	Seat (2)	Hostaflo® TFM 1600
5	Stem	Brass - CW614N
6	Packing	Buna-N
7	Stem O-ring (2)	Viton®
8	Packing Gland	Brass - CW614N
9	Lockwing Cap*	Brass - CW617N
10	Screw	304 Stainless Steel
11	Bypass Valve*	(See 175-LWN Spec Sheet)

\*Components may be TEA coated depending on selection

#### Dimensions

Part No.	Size	A	B	C	D
244-006B	1-1/4"	4.54	2.47	4.15	1.38
244-007B	1-1/2"	4.84	3.11	4.37	1.52
244-008_	2"	5.73	3.32	4.51	1.81

\_ = Specify coating: B = Brass, T = T.E.A. Coated