

# Lockwing

## Utility Gas Ball Valve • Full Port • 125 PSIG



Brass

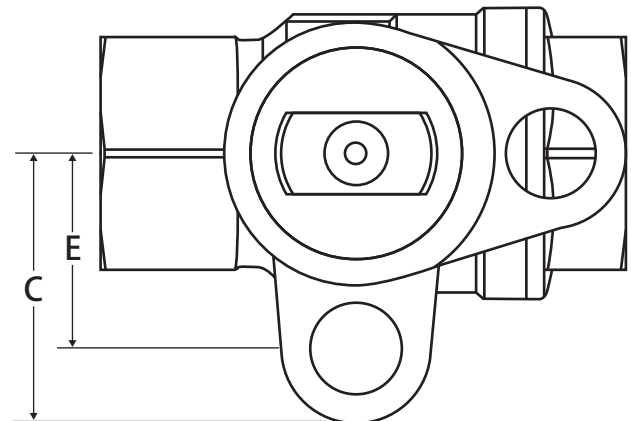
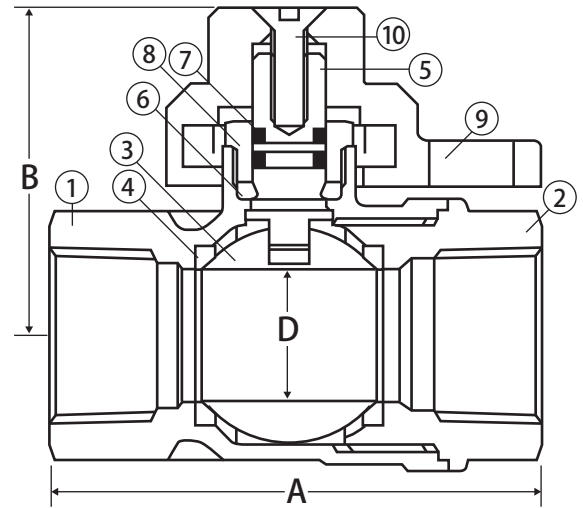


Painted



MIP x FIP

**125-LWN**



### Features

- Tamper resistant lockwing cap
- 2 Viton® o-rings
- Full port design to accommodate industry leading stop changers
- Lockwing accommodates standard barrel locks
- Maintenance free design
- 100% leak tested
- 100% Made in Italy
- Leakproof stem - Lifetime Warranty

### Approvals

- CSA Certified
  - CGA 3.16 (125G)
  - ANSI B16.33 (125G)
- Meets or exceeds applicable part of DOT 192
- MSS SP-110

### Pressure Rating

- 125 PSIG
- Temp range: -40°F to 300°F

**WARNING:** This product can expose you to chemicals including lead, which is known to the State of California to cause cancer, and lead, which is known to the State of California to cause birth defects or other reproductive harm. For more information go to [www.P65Warnings.ca.gov](http://www.P65Warnings.ca.gov).

### Material Specifications

No.	Part	Materials
1	Body*	Brass - CW617N
2	End Connection*	Brass - CW617N
3	Ball	Chrome Plated Brass - CW617N
4	Seat (2)	Hostaflo® TFM 1600
5	Stem	Brass - CW614N
6	Packing	Buna-N
7	Stem O-ring (2)	Viton®
8	Packing Gland	Brass - CW614N
9	Lockwing Cap*	Brass - CW617N
10	Screw	304 Stainless Steel

\*Component may be AGA painted depending upon selection

### Dimensions

Part No.	Size	A	B	C	D	E
<b>FIP x FIP</b>						
242-004_	3/4"	2.91	1.87	1.50	0.79	1.08
242-005_	1"	3.40	2.24	1.73	0.97	1.30
_ = Specify coating: B = Brass, P = Painted						
<b>MIP x FIP</b>						
246-005B	1"	3.73	2.24	1.73	0.97	1.30