

# Lockwing



## Utility Gas Ball Valve • Full Port • Service Bypass • 125 PSIG • with Swivel End



125-LWN-S

### Features

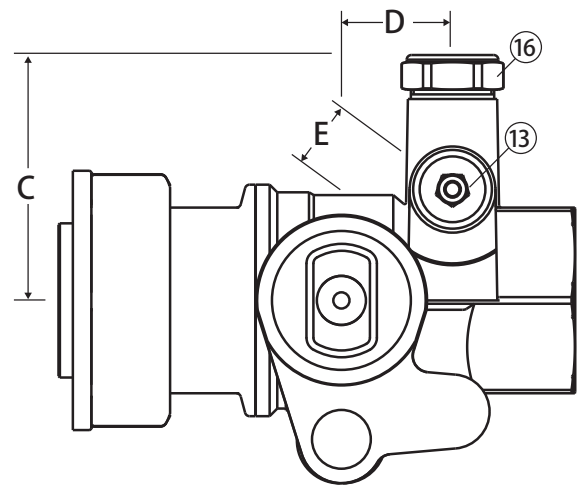
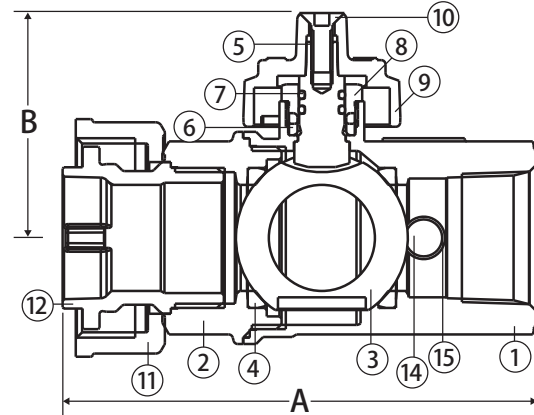
- Tamper resistant lockwing cap
- Union swivel connects directly to regulator
- Full port design to accommodate industry leading stop changers
- Lockwing accommodates standard barrel locks
- Maintenance free design
- 2 Viton® o-rings
- 100% leak tested
- Made in Italy
- Leakproof stem - Lifetime Warranty
- Patented security shutter and lockwing tab
  - US Patent no. 6,648,009

### Approvals

- CSA Certified
  - CGA 3.16 (125G)
  - ANSI B16.33 (125G)
- Meets or exceeds applicable part of DOT 192
- ANSI B1.20.1
- MSS SP-110

### Pressure Rating

- 125 PSIG
- Temp range: -40°F to 300°F



### Material Specifications

| No. | Part             | Materials                    |
|-----|------------------|------------------------------|
| 1   | Body             | Brass - CW617N               |
| 2   | End Connection   | Brass - CW617N               |
| 3   | Ball             | Chrome Plated Brass - CW617N |
| 4   | Seat (2)         | Hostaflon® TFM 1600          |
| 5   | Stem             | Brass - CW614N               |
| 6   | Packing          | Buna-N                       |
| 7   | Stem O-ring (2)  | Viton®                       |
| 8   | Packing Gland    | Brass - CW614N               |
| 9   | Lockwing Cap     | Brass - CW617N               |
| 10  | Screw            | 304 Stainless Steel          |
| 11  | Union Nut        | Brass - CW617N               |
| 12  | Tail Piece       | Brass - CW614N               |
| 13  | Bypass Plug      | Brass - CW614N               |
| 14  | Bypass Set Screw | Brass - CW614N               |
| 15  | Bypass O-ring    | Viton®                       |
| 16  | Bypass Cap       | Brass - CW614N               |

### Dimensions

| Part No. | Size | A    | B    | C    | D    | E    |
|----------|------|------|------|------|------|------|
| 245-005B | 1"   | 4.21 | 2.09 | 2.09 | 0.94 | 0.59 |