

Lockwing



Utility Gas Ball Valve • Full Port • Service Bypass • 125 PSIG • with Insulated Tail Piece



125-LWIBP

Features

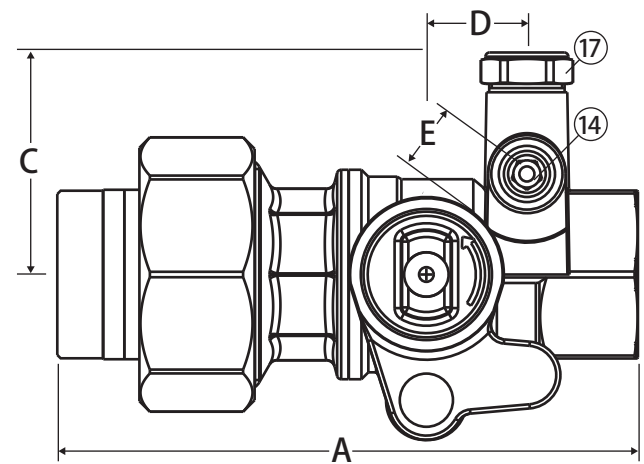
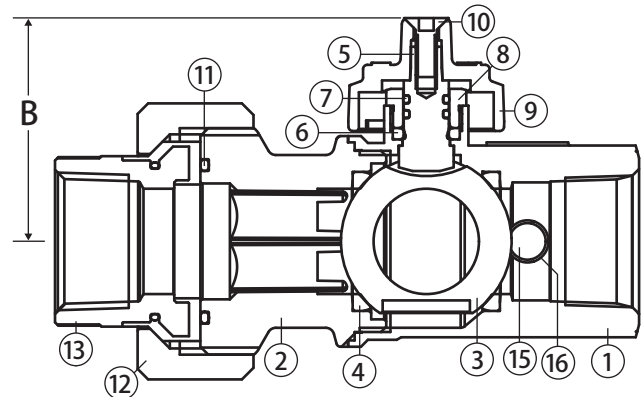
- Tamper resistant lockwing cap
- 2 Viton® o-rings
- Full port design to accommodate industry leading stop changers
- Lockwing accommodates standard barrel locks
- Maintenance free design
- 100% leak tested
- 100% Made in Italy
- Leakproof stem - Lifetime Warranty
- Patented security shutter and lockwing tab
 - US Patent no. 6,648,009

Approvals

- Meets or exceeds applicable part of DOT 192 and ANSI B16.33
- MSS SP-110

Pressure Rating

- 125 PSIG
- Temp range: -40°F to 300°F



Material Specifications

No.	Part	Materials
1	Body	Brass - CW617N
2	End Connection	Brass - CW617N
3	Ball	Chrome Plated Brass - CW617N
4	Seat (2)	Hostaflon® TFM 1600
5	Stem	Brass - CW614N
6	Packing	Buna-N
7	Stem O-ring (2)	Viton®
8	Packing Gland	Brass - CW614N
9	Lockwing Cap	Brass - CW617N
10	Screw	304 Stainless Steel
11	Union O-ring	Viton®
12	Union Nut	Brass - CW617N
13	Insulated Tail Piece	Zytel® / Brass - CW614N
14	Bypass Plug	Brass - CW614N
15	Bypass Set Screw	Brass - CW614N
16	Bypass O-ring	Viton®
17	Bypass Cap	Brass - CW614N

Dimensions

Part No.	Size	A	B	C	D	E
243-005D	1"	5.50	2.05	2.08	0.95	0.59