

Fixed Orifice Multi-Turn Balancing Valve

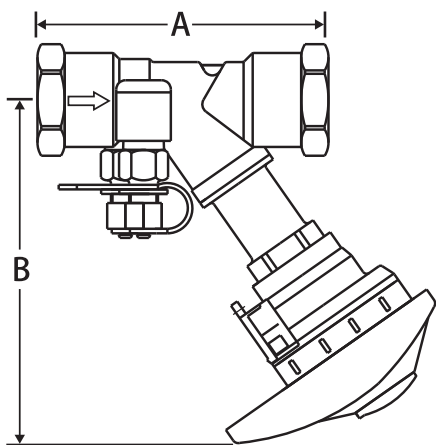


- +/- 5% accuracy versus less accurate "circuit setter" valves
- One step balancing process compared to complicated variable style
- Lockable memory stop handle
- Easy-turn handle / hand wheel for extra fine control
- Dezincification resistant bronze / epoxy coated cast iron body
- 1/2" - 2" Female NPT / 2-1/2" - 8" ANSI Class 150 Flange

Terminator G from



Terminator G w/Memory Stop 360 WOG



Features

- Integral metering orifice plate
- Characterized equal percent throttling disc
- ±5% flow measurement accuracy
- Microset hand wheel
- Memory stop handle setting
- Pressure and temperature ports
- NPT threads
- Dezincification resistant
- Conforms to BS 7350
- See end of catalog for pressure drop charts

Temperature Rating

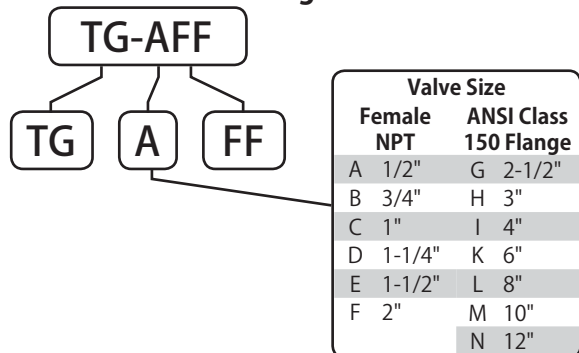
- 360 WOG

Material Specifications

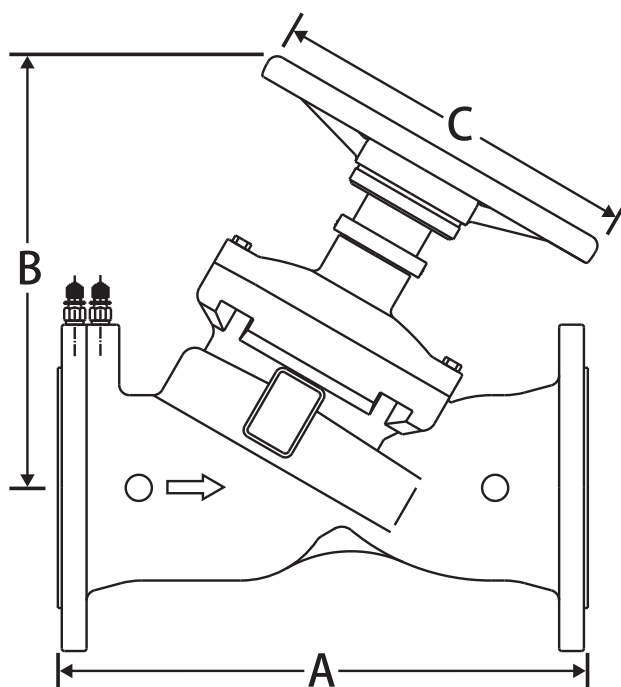
Part	Material
Body	Bronze - C83600
Bonnet (1/2" - 1-1/4")	Brass - C35330
(1-1/2" - 2")	Bronze - C83600
Stem	Brass - C35330
Disc (1/2" - 3/4")	Brass - C35330
(1" - 2")	Brass + PTFE - C35330
Orifice Insert	Brass - C35330
Hand Wheel	Plastic

Size	List Price	Dimensions		Cv	GPM
		A	B		
1/2"	\$50.99	3.43	4.45	1.49	1 - 4
3/4"	\$56.87	3.78	4.49	2.57	2 - 10
1"	\$81.12	3.94	5.31	4.11	4 - 20
1-1/4"	\$96.18	4.49	5.35	8.87	8 - 35
1-1/2"	\$120.49	4.92	5.94	14.56	12 - 50
2"	\$161.81	5.75	5.98	23.58	20 - 100

Smart Part Number Ordering Guide



Terminator G Flanged 230 WOG



Features

- Integral metering orifice plate
- Memory stop handle setting
- ±5% flow measurement accuracy
- ANSI Class 150
- Pressure and temperature ports
- Face to face: DIN 3202-1/F1
EN-558-1 Series 1
- Flange: ANSI B16.5
- Conforms to BS 7350
- See end of catalog for pressure drop charts

Temperature Rating

- 15-250°F
- 230 WOG

Material Specifications

Part	Material
Body	Ductile Iron - ASTM A536
Bonnet	Ductile Iron - ASTM A536
Stem	410 Stainless Steel
Disc	EPDM Coated Ductile Iron - ASTM A536
Gland (2-1/2" - 6")	Brass - C37700
(8" - 12")	Ductile Iron - ASTM A536
Stem Nut	Brass - C37700
Hand Wheel	Ductile Iron - ASTM A536
Test Valve	Brass - C35330
Orifice Insert	Brass - C37700
Packing	Graphite

Size	List Price	Dimensions			Cv	GPM
		A	B	C		
2-1/2"	\$406.27	11.42	10.43	7.87	89.96	45 - 210
3"	\$444.00	12.20	10.63	7.87	96.88	50 - 240
4"	\$653.49	13.78	12.20	9.45	140.13	100 - 450
6"	\$1,231.69	18.90	13.39	11.42	289.78	200 - 1100
8"	\$2,225.17	23.62	21.14	13.78	462.78	350 - 1500
10"	\$5,068.06	28.74	22.44	16.54	950.64	500 - 2500
12"	\$7,041.62	33.46	27.17	16.54	1373.62	800 - 3500