

Plumbing · Heating · Gas · Industrial · Actuation · Hydraulics



T-CS-4000

Full Port Carbon Steel Ball Valve

-
- Safety Factor: 2 to 1
 - Pom Ball Seats
 - Vitom Stem Seal
 - Lockable Handle
 - 1/4"-1" Block Body
 - 1-1/4"-2" Rounded Body
 - 100% Leak Tested
 - Lockable Handle

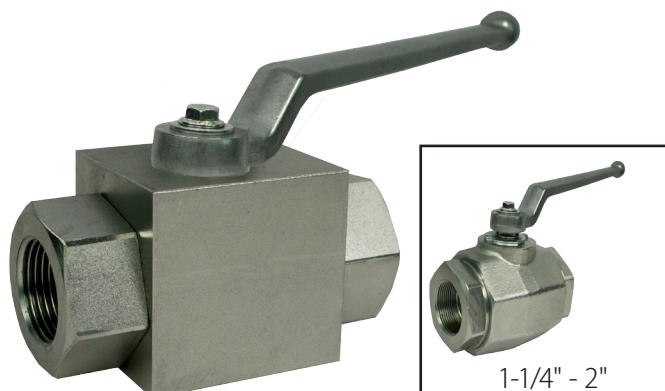


www.jomarvalve.com

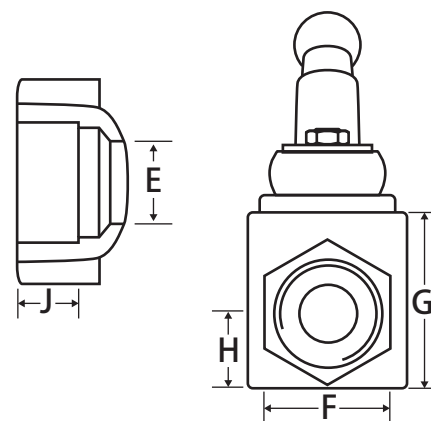
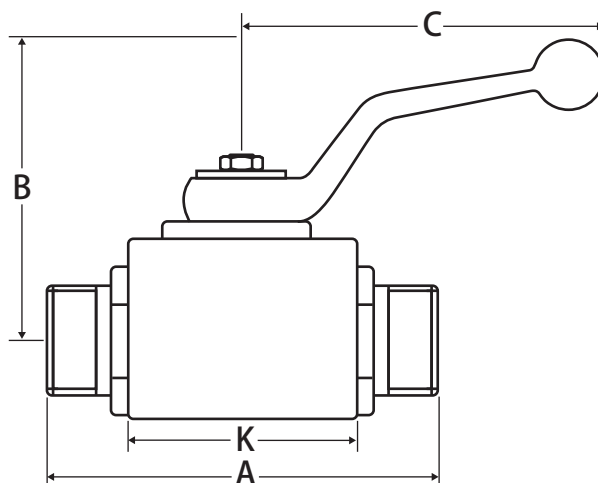
Carbon Steel Ball Valve



3 Piece • Full Port • Threaded Connection • 7250 WOG



T-CS-4000



Features

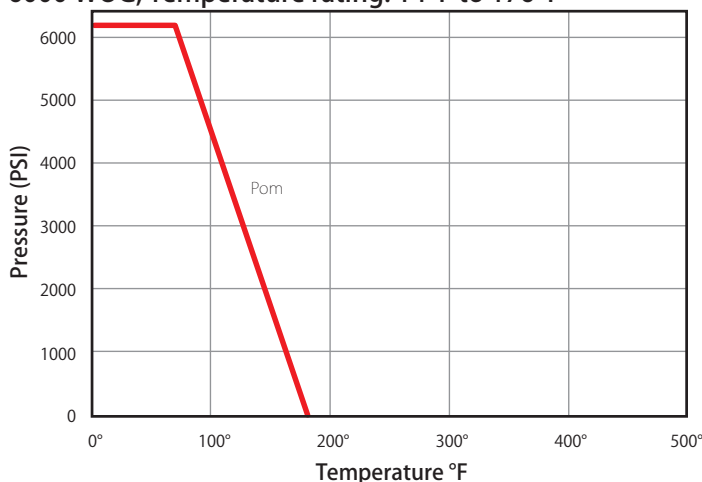
- Body pressure ratings:
 - 7250 PSI for 1/4" to 1/2"
 - 4550 PSI for 3/4" to 2"
- Safety factor: 2 to 1
- Pom ball seats
- Viton stem seal
- NPT female thread to ANSI B1.20.1
- Lockable handle
- Sizes 1/4" to 1" one block body design
- 1-1/4" to 2" are rounded body design
- 100% leak tested
- Wetted surfaces contain less than .25% lead content

Approvals

- MSS SP-110

Valve Seat Rating

6000 WOG, Temperature rating: 14°F to 176°F



Material Specifications

Part	Materials
Body	Carbon Steel
Ball	Chrome Plated Carbon Steel
Seat (2)	POM
Seat O-Ring (2)	FMP
Stem	Carbon Steel
Stem Seal	POM
Stem O-Ring	FMP
Travel Stop	Carbon Steel
Stopping Plate	Carbon Steel
Handle	Casted Zinc
Screw	Carbon Steel

Dimensions

Part No.	Size	A	B	C	E	F	G	H	J	K
100-941	1/4"	1.57	3.30	4.41	0.24	1.02	1.30	0.53	0.55	1.57
100-942	3/8"	1.65	3.42	4.41	0.39	1.26	1.42	0.63	0.55	1.65
100-943	1/2"	1.89	3.57	4.41	0.47	1.38	1.57	0.67	0.63	1.89
100-944	3/4"	2.36	4.27	6.10	0.79	1.89	2.17	0.98	0.71	2.36
100-945	1"	2.56	4.62	6.10	0.98	2.24	2.52	1.12	0.83	2.56
100-946	1-1/4"	2.95	5.45	9.25	1.26	2.60	2.95	1.30	0.87	2.95
100-947	1-1/2"	3.58	5.96	9.25	1.50	3.15	3.46	1.57	0.94	3.58
100-948	2"	3.94	6.59	9.25	1.89	3.78	4.09	1.89	1.02	4.33