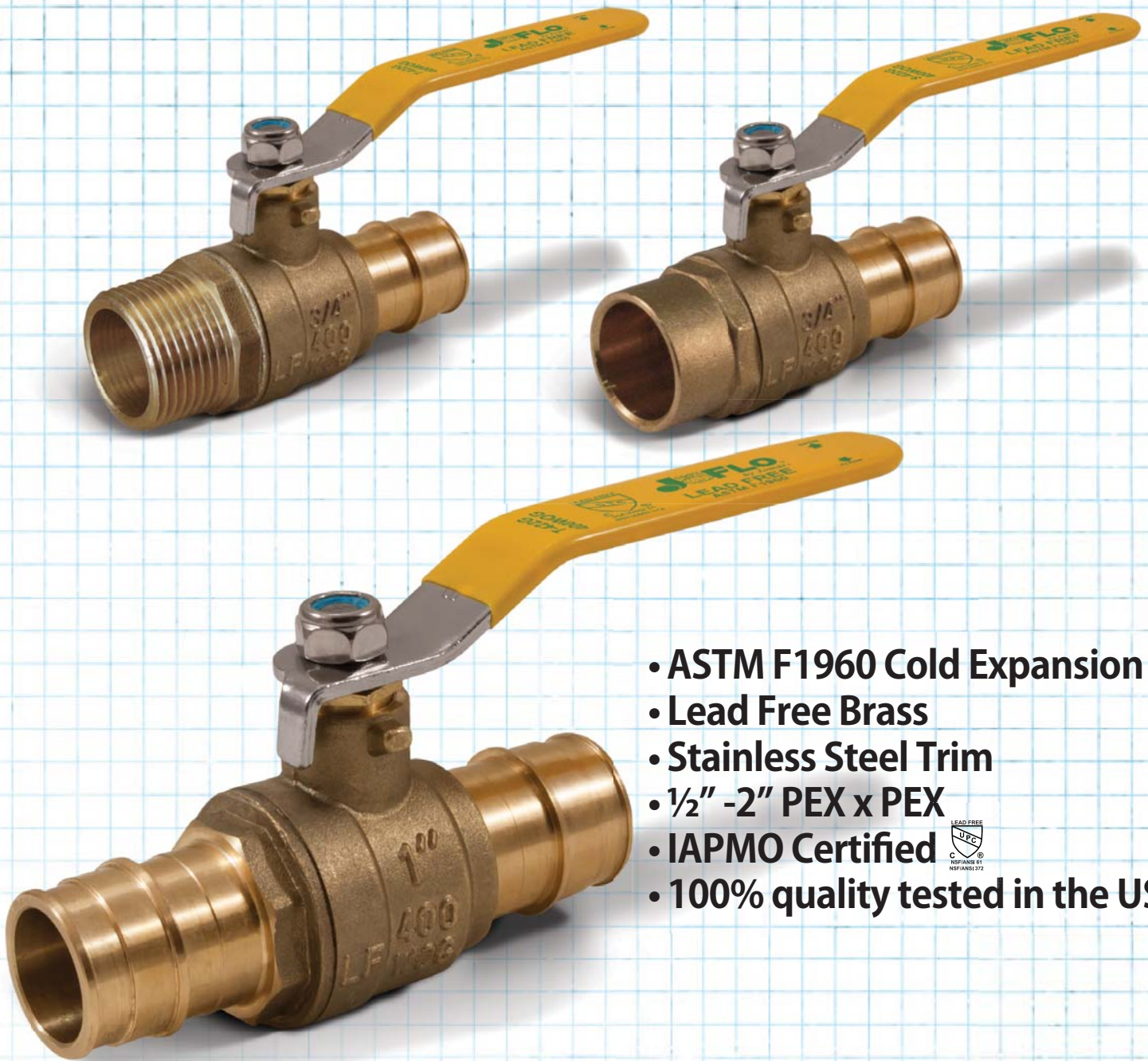


T-422G & S-422G

Lead Free Brass Expansion Pex Ball Valves



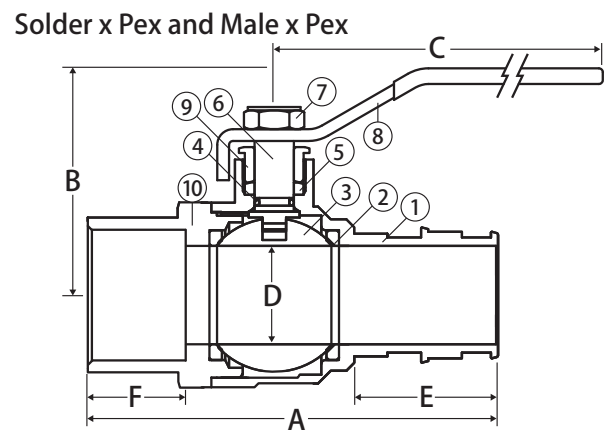
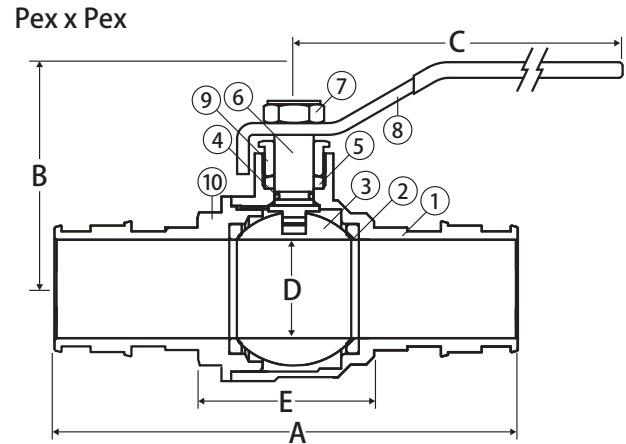
- ASTM F1960 Cold Expansion PEX
- Lead Free Brass
- Stainless Steel Trim
- 1/2" - 2" PEX x PEX
- IAPMO Certified
- 100% quality tested in the USA



Lead Free Brass Ball Valve



2 Piece • Standard Port • Expansion Pex Connection • 400 WOG • with Stainless Steel Trim



Features

- Gland follower and single o-ring stem design
- Blow-out proof stem
- 100% leak tested
- Wetted surfaces contain less than .25% lead content

Approvals

- ASTM F1960
- IAPMO Certified
 - NSF 61-8
 - NSF 372
 - Uniform Plumbing Code (cUPC)

Pressure Rating

- Body rated to 400 WOG
- Expansion connection rated to 150 WOG up to 200°F

Material Specifications

No.	Part	Materials
1	Body	Lead Free Brass - C46500
2	Seat	PTFE
3	Ball	304 Stainless Steel
4	O-ring	Buna-N
5	Packing	PTFE
6	Stem	304 Stainless Steel
7	Handle Nut	Steel - Chrome Plated
8	Handle	Steel - Chrome Plated
9	Packing Nut	Brass - C37700
10	End Connection	Lead Free Brass - C46500

Dimensions

PEX x PEX						
Part No.	Size	A	B	C	D	E
104-523PG	1/2"	2.58	1.69	3.35	0.39	1.16
104-524PG	3/4"	3.31	1.81	3.35	0.61	1.35
104-525PG	1"	3.98	2.09	4.29	0.81	1.63
104-526PG	1-1/4"	4.65	2.25	4.29	0.98	1.77
104-527PG	1-1/2"	5.52	2.45	5.63	1.10	2.12
104-528PG	2"	6.91	2.74	5.63	1.58	2.66

Solder x PEX							
Part No.	Size	A	B	C	D	E	F
104-533PG	1/2"	2.40	1.19	3.35	0.39	0.71	0.50
104-534PG	3/4"	2.84	1.81	3.35	0.61	0.94	0.75

MIP x PEX						
Part No.	Size	A	B	C	D	E
104-534MPG	3/4"	3.17	1.81	3.35	0.61	0.94

Note: Information subject to change without notice.