

# The Original Blue Cap™

¼ turn, hot forged brass, 2-piece design, standard port, appliance type gas ball valves. Made in Italy. 100% tested.

*Available with multiple end connections.*



T-204

T-203



▪ **CSA Certified**

- ANSI Z21.15 (.5 PSIG)
- ASME B16.44 (5 PSIG)
- CGA CR91 (5 PSIG)



▪ **UL Listed**

- YQNZ - Compressed gas shut-off valves
- YRPV - Gas shut-off valves
- YSDT - LP gas shut-off valves
- MHKZ - Manual valves
- YRBX - Flammable liquid shut-off valves
- SFJQ - Valves, refrigerant

**Also Available, T-204DU and T-203DU**

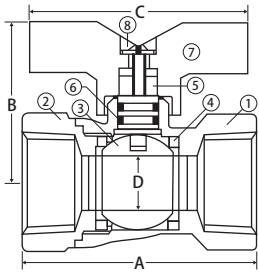
*Incorporates a dielectric union to meet NFPA 58 which eliminates the need for a separate feature!*



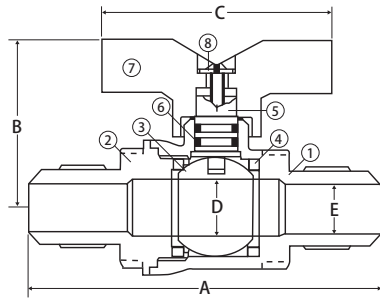
[www.jomarvalve.com](http://www.jomarvalve.com)

# T-204

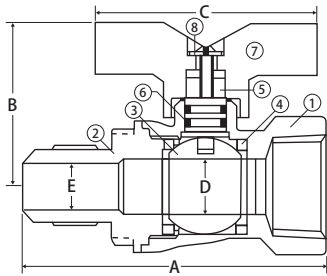
# T-203



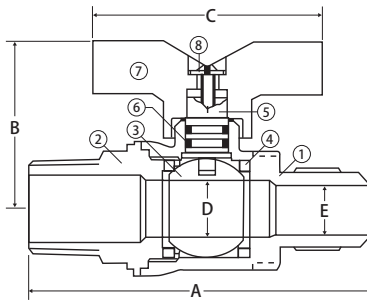
T-204 FIP x FIP



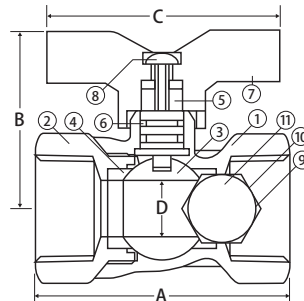
T-204 FL x FL



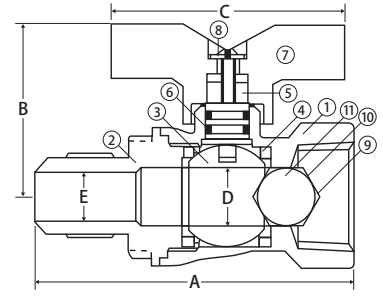
T-204 FL x FIP



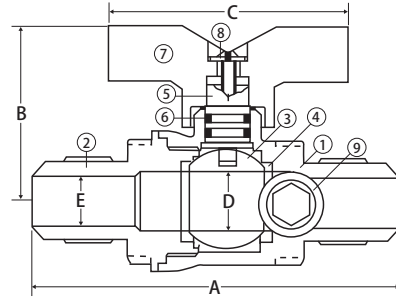
T-204 MIP x FL



T-203 FIP x FIP



T-203 FL x FIP



T-203 FL x FL

### Material Specifications

No.	Part	Materials
1	Body	Brass - CW617N
2	End Connection	Brass - CW617N
3	Ball	Chrome Plated Brass - CW614N
4	Seat (2)	PTFE
5	Stem	Brass - CW614N
6	Stem O-ring (2)	Viton®
7	Handle*	Aluminum
8	Handle Screw	Steel - Geomet® Plated

\*101-404BRT has brass handle

### Material Specifications

No.	Part	Materials
1	Body	Brass - CW617N
2	End Connection	Brass - CW617N
3	Ball	Chrome Plated Brass - CW614N
4	Seat (2)	PTFE
5	Stem	Brass - CW614N
6	Stem O-ring (2)	Viton®
7	Handle	Aluminum
8	Handle Screw	Steel - Geomet® Plated
9	Side Tap Plug	Brass - CW614N
10	Side Tap Washer	Buna-N
11	Side Tap Cap	Brass - CW614N

Part No.	Size	List Price	Shipping			Dimensions				
			Case Qty	Carton Qty	Case Weight	A	B	C	D	E
<b>FIP x FIP T-Handle</b>										
101-401	1/4"	\$10.94	120	12	45	1.85	1.63	2.32	0.39	-
101-402	3/8"	\$11.57	120	12	40	1.85	1.63	2.32	0.47	-
101-403	1/2"	\$8.46	120	12	50	2.4	1.63	2.32	0.47	-
101-404	3/4"	\$14.04	80	8	56	2.53	1.69	2.32	0.59	-
101-404BRT*	3/4"	\$21.37	100	10	59	2.53	2.05	2.32	0.59	-

\*Brass t-handle

<b>FIP x FIP Teardrop Handle</b>										
Part No.	Size	List Price	Case Qty	Carton Qty	Case Weight	A	B	C	D	E
101-411	1/4"	\$10.94	120	12	45	1.85	1.4	1.97	0.39	-
101-412	3/8"	\$11.57	120	12	40	1.85	1.4	1.97	0.47	-
101-413	1/2"	\$8.46	120	12	50	2.4	1.4	1.97	0.47	-
101-414	3/4"	\$14.04	80	8	56	2.53	1.46	1.97	0.59	-

<b>FL x FL T-handle</b>										
Part No.	Size	List Price	Case Qty	Carton Qty	Case Weight	A	B	C	D	E
101-601	1/2" x 3/8"	\$12.53	120	12	45	2.98	1.63	2.32	0.47	0.4
101-602	3/8" x 3/8"	\$11.37	120	12	49	2.81	1.63	2.32	0.47	0.28
101-603	1/2" x 1/2"	\$11.37	120	12	54	3.14	1.63	2.32	0.47	0.4
101-604	5/8" x 3/8"	\$16.68	80	8	51	3.45	1.69	2.32	0.59	0.5

<b>FL x FL Teardrop Handle</b>										
Part No.	Size	List Price	Case Qty	Carton Qty	Case Weight	A	B	C	D	E
101-612	3/8" x 3/8"	\$11.37	120	12	49	2.81	1.4	1.97	0.47	0.28
101-613	1/2" x 1/2"	\$11.37	120	12	54	3.14	1.4	1.97	0.47	0.4
101-614	5/8" x 3/8"	\$16.68	80	8	51	3.45	1.46	1.97	0.59	0.5

<b>FL x FIP T-handle</b>										
Part No.	Size	List Price	Case Qty	Carton Qty	Case Weight	A	B	C	D	E
101-502	3/8" x 1/2"	\$11.37	140	14	49	2.67	1.63	2.32	0.47	0.4
101-503	1/2" x 1/2"	\$11.37	140	14	60	2.82	1.63	2.32	0.47	0.4
101-504	5/8" x 3/4"	\$16.23	80	8	51	2.96	1.69	2.32	0.59	0.5

<b>MIP x FL T-handle</b>										
Part No.	Size	List Price	Case Qty	Carton Qty	Case Weight	A	B	C	D	E
101-702	1/2" x 3/8"	\$11.37	120	12	48	2.84	1.63	2.32	0.47	0.4
101-703	1/2" x 1/2"	\$11.37	120	12	52	3	1.63	2.32	0.47	0.4

Part No.	Size	List Price	Shipping			Dimensions				
			Case Qty	Carton Qty	Case Weight	A	B	C	D	E
<b>FIP x FIP</b>										
102-301	1/4"	\$14.69	100	10	43	1.99	1.63	2.32	0.39	-
102-302	3/8"	\$14.69	100	10	39	1.99	1.63	2.32	0.47	-
102-303	1/2"	\$14.69	100	10	47	2.45	1.63	2.32	0.47	-
102-304	3/4"	\$18.66	80	8	61	2.63	1.69	2.32	0.59	-

<b>FL x FIP</b>										
Part No.	Size	List Price	Case Qty	Carton Qty	Case Weight	A	B	C	D	E
102-405	1/2" x 1/2"	\$21.84	100	10	49	2.87	1.63	2.32	0.47	0.4

<b>FL x FL</b>										
Part No.	Size	List Price	Case Qty	Carton Qty	Case Weight	A	B	C	D	E
102-402	3/8" x 3/8"	\$17.63	120	12	51	2.91	1.63	2.32	0.47	0.28
102-403	1/2" x 1/2"	\$17.63	120	12	57	3.25	1.63	2.32	0.47	0.4
102-404	5/8" x 3/8"	\$24.62	80	8	54	3.62	1.69	2.32	0.59	0.5

### Valve Seat Rating 600 WOG

