


Plumbing · Heating · Gas · Industrial · Actuation · Hydraulics



# Raise Your Standards

-  and NACE Certified
- 29 in-HG Vacuum Rating
- 100% Leak Tested
- 100% Lead Free
- Solid Ball Construction
- Hostaflo<sup>®</sup> Seats and Seals
- Adjustable Stem Packing
- Blow Out Proof Stem
- Multiple Connection Combinations
- 1/8" - 12" Sizes



[www.jomarvalve.com](http://www.jomarvalve.com)

# Stainless Steel Ball Valve

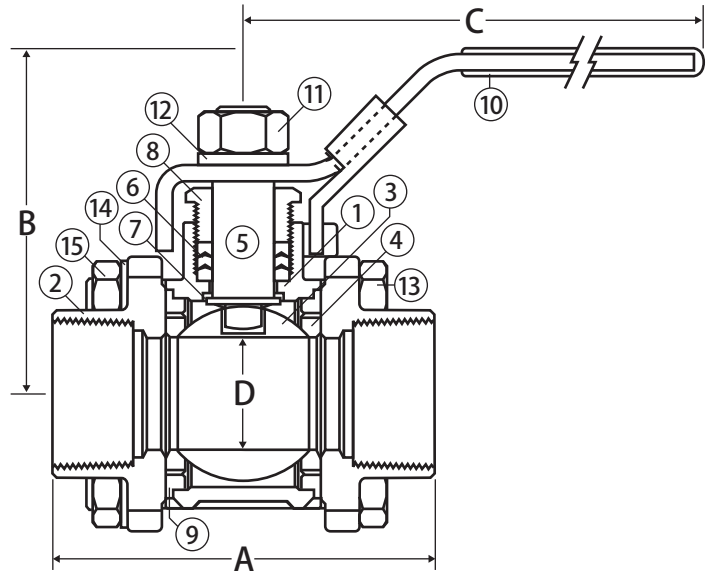


**3 Piece 4 Bolt • Swing Out Body • Full Port • Threaded Connection • 1000 WOG**



**T-SS-1000N-4B**

CRN# OC15459.5



## Features

- Latch lock may be locked in open or closed positions
- 29 in-Hg vacuum rating
- 100% leak tested
- Wetted surfaces contain less than .25% lead content
- Repair kits available

## Approvals

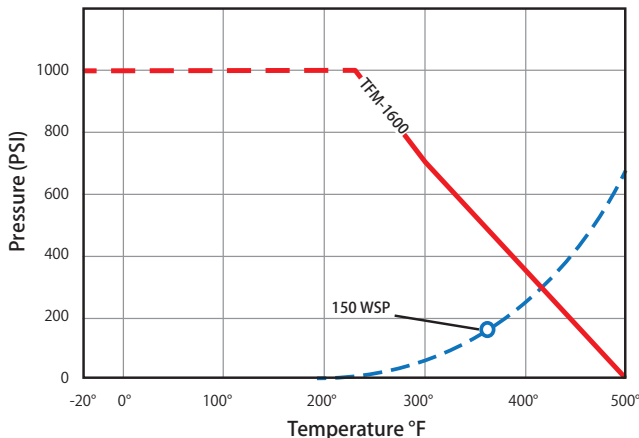
- UL Listed (1/4" - 2")
  - MHKZ - Manual valves
  - YQNZ - Compressed gas shut-off valves
  - YRBX - Flammable liquid shut-off valves
  - YRPV - Gas shut-off valves
  - YSDT - LP gas shut-off valves (1/4" - 3")
  - YQAR - Anhydrous ammonia shut-off valves (1/4" - 3")
- MSS SP-110
- NACE Certified
- ANSI B1.20.1
- ANSI B16.11
- Conforms to API 598

## Material Specifications

| No. | Part                 | Materials            |
|-----|----------------------|----------------------|
| 1   | Body                 | CF8M Stainless Steel |
| 2   | End Cap (2)          | CF8M Stainless Steel |
| 3   | Ball                 | CF8M Stainless Steel |
| 4   | Seat (2)*            | Hostafion® TFM 1600  |
| 5   | Stem                 | 316 Stainless Steel  |
| 6   | Packing (2)*         | RPTFE                |
| 7   | Stem Seal*           | Hostafion® TFM 1600  |
| 8   | Packing Gland        | 316 Stainless Steel  |
| 9   | Body Seal (2)*       | Hostafion® TFM 1600  |
| 10  | Handle               | 304 Stainless Steel  |
| 11  | Handle Nut           | 304 Stainless Steel  |
| 12  | Lock Washer          | 304 Stainless Steel  |
| 13  | Body Bolt (4)        | 304 Stainless Steel  |
| 14  | Body Lock Washer (4) | 304 Stainless Steel  |
| 15  | Body Nut (4)         | 304 Stainless Steel  |

\*Included in repair kit

## Valve Seat Rating 1000 WOG - 150 WSP



## Dimensions

| Part No. | List Price | Size   | A    | B    | C     | D    | Torque |
|----------|------------|--------|------|------|-------|------|--------|
| 500-301  | \$35.95    | 1/4"   | 2.37 | 2.18 | 4.30  | 0.37 | 60     |
| 500-302  | \$35.95    | 3/8"   | 2.37 | 2.18 | 4.30  | 0.37 | 60     |
| 500-303  | \$43.09    | 1/2"   | 2.76 | 2.38 | 4.30  | 0.56 | 80     |
| 500-304  | \$56.56    | 3/4"   | 3.03 | 2.87 | 5.81  | 0.81 | 150    |
| 500-305  | \$76.09    | 1"     | 3.63 | 2.95 | 5.81  | 1.00 | 250    |
| 500-306  | \$118.96   | 1-1/4" | 4.14 | 3.66 | 7.44  | 1.25 | 320    |
| 500-307  | \$156.36   | 1-1/2" | 4.73 | 3.94 | 7.44  | 1.50 | 400    |
| 500-308  | \$229.53   | 2"     | 5.43 | 4.25 | 7.81  | 1.97 | 480    |
| 500-310  | \$630.54   | 3"     | 7.52 | 5.26 | 9.75  | 3.00 | 600    |
| 500-311  | \$1,034.12 | 4"     | 8.54 | 6.57 | 11.88 | 3.93 | 850    |